

Product Name: 50 Ohms RG316U SMA cable assembly – SMA to SMA connector using 50Ω RG316U coax cable

Product Description: 50 Ohms RG316U RG316 Coax cable assembly using SMA connector with

Insertion loss:
 < -2.46dB @ 5.7GHz
 < -1.66dB @ 2.97GHz
 < -0.93dB @ 1GHz
 < -0.1dB @ 100MHz

Cable assembly is offered with **Jack to Jack** or **Plug to Plug** configuration

SMA mates with counterpart, please see ordering information.

Application: Complementing ZX20x series test boards , or any general testing needs requiring minimum insertion loss.

Mates with : SMA connector mates with standard SMA connector, please see ordering information.

Coax Cable information:

Type: RG316U
 Attenuation: (dB/m): < 4.25dB/m @ 6GHz
 Impedance: 50+-2 Ohms
 Dielectric Constant (dk): 2.1
 Current rating: 5A
 Capacitance: 96pF
 Maximum operating temperature: 200°C

SMA Connector:

Type: BRASS with Gold finish 5u" on RING
 35u" GOLD PLATED AT pin
 Insulator: PTFE

RG316U coax cable:

RG316 RG316U is 50 Ohms impedance making it ideal for data transmission. RG316 RG316U has small diameter (0.098"), it is extremely flexible due to its stranded center conductor, and has PTFE outer jacket leads to an operating temperature of up to 200°C

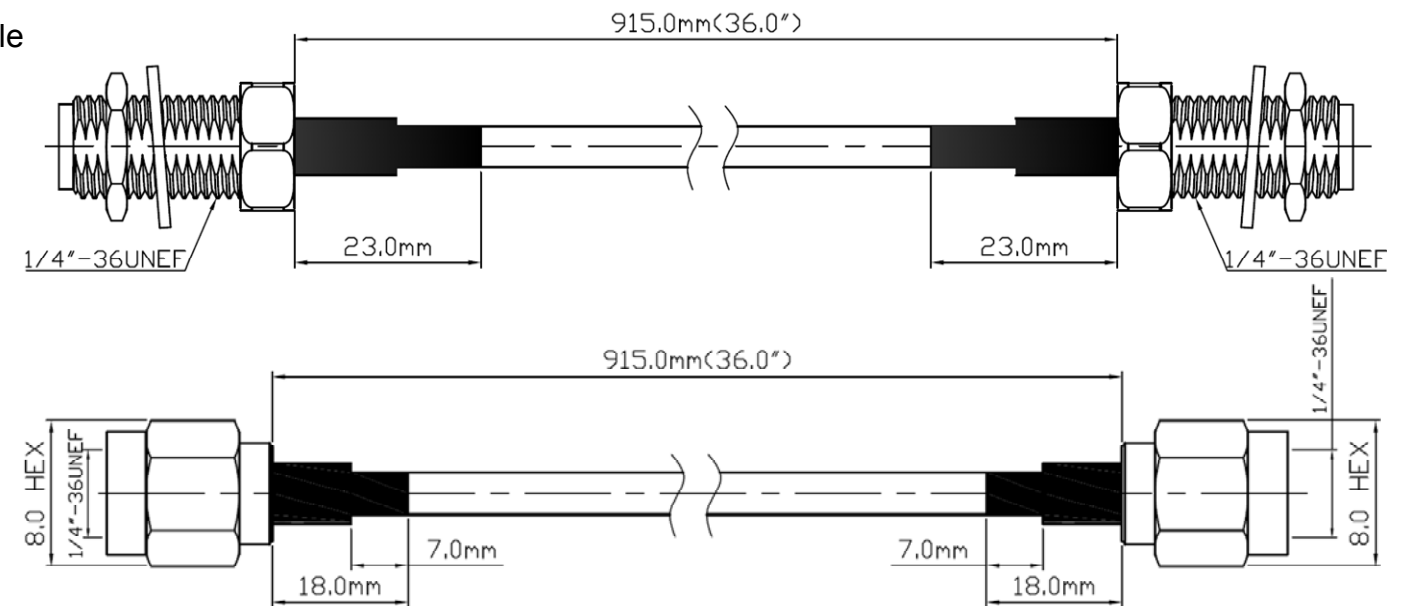
Common applications for RG316 RG316U include LAN/WAN, GPS, labs and any application requiring low insertion loss medium.

RG316U RG316 coax cable performance at this length exceeds or meets RG178 CBT-2650F-1 RG174 RG58 CCA-25M MWC2550-01 RG405 RG402

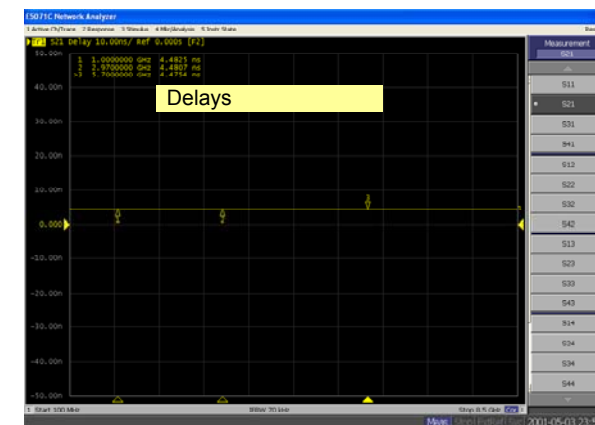
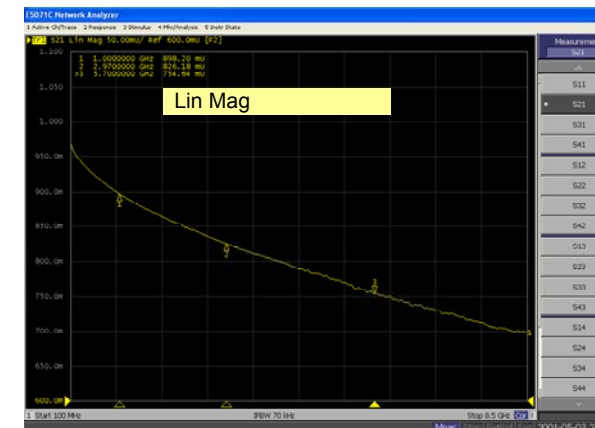
Notice

ALL ZEBAX TECHNOLOGIES DESIGN SPECIFICATIONS, DRAWINGS, PUBLICATIONS, AND OTHER DOCUMENTS (TOGETHER AND SEPARATELY, "MATERIALS") ARE BEING PROVIDED "AS IS." ZEBAX MAKES NO WARRANTIES, EXPRESSED, IMPLIED, STATUTORY, OR OTHERWISE WITH RESPECT TO THE MATERIALS, AND EXPRESSLY DISCLAIMS ALL IMPLIED WARRANTIES OF NO INFRINGEMENT, MERCHANTABILITY, AND FITNESS FOR A PARTICULAR PURPOSE.

Information furnished is believed to be accurate and reliable. However, Zebax Technologies assumes no responsibility for the consequences of use of such information or for any infringement of patents or other rights of third parties that may result from its use. Specifications mentioned in this publication are subject to change without notice. This publication replaces all other information previously supplied. Zebax Technologies products are not authorized as in life support devices or systems.

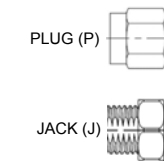


Test reports using network analyzer



Ordering INFO:

Part Number
 ZX00SMA-SMA36-X options
 J : SMA Jack (Standard)
 P : SMA Plug connector



Note
 ALL ZEBAX products are RoHS compliant and Lead Free unless otherwise indicated.

ZEBAX TECHNOLOGIES		
SANTA CRUZ, CA U.S.A (831)222-0717		
WWW.ZEBAX.COM		
SPECIFIED DIMENSIONS ARE INCHES (MM). ROHS COMPLIANT	ASSEMBLY DRAWING	
	ITEM: ZX00SMA-SMA36-X	
DESCRIPTION: SMA to SMA Cable assembly 50 Ohms RG316U RG316		
CHECKED: M. MARINA	DRAWN: SLAVIK	REVISION: 1.0
		SHEET: 1 OF 1