

Product Name: ZX132DS15 Differential paired Samtec Probe Breakout Adapter E5378A E5379A E5385A Logic Analyzer probe

Product Description: Differentially paired Samtec Probe breakout adapter, compatible with E5378A E5379A logic analyzer probe pinout assignments using 0.1" pitch header. 50pins per 2 rows → 100 pins. Using Samtec's Basic Blade & Beam Header BTH connector series ASP65267-02. It can be used with Single ended probe such as E5346A.

Reserved Probe pins are accessible via 0402 SMD pads for applying filter circuit or testing, see Note 2.

- All differential pairs match Clkp-Clkn trace length
- Designed in 4 layer PCBoard
- Improved signal integrity and crosstalk.
- 90 Ω differential pair trace impedance, matching connector's impedance
- Reference plane impedance 50Ω for DC to 8GHz bandwidth applications for single ended applications.

GND test points for easy access – GND Test point must be connected to system GND
GND test points is tied to 2 inner layer GND planes

Application: Agilent logic Analyzer probes **E5385A E5378A E5379A Logic Analyzer probe**, Pre-Bringup, Bringup, characterization, testing, emulation, development, modular design evaluations / functional vlidation

Mates with : Samtec ASP-65067-01 as well as BSH050 connector series
Designed to meet Agilent Logic Analyzer Samtec probe. ZX132DS15 can be used with flying leads probes E5381A or similar

Pitch: 0.50mm (0.0197") High Speed connector

Headers: 0.15" (3.81mm) spacing, 0.1" (2.54mm) Pitch 0.018" (0.46mm) SQ with 0.190" (4.83mm) post height

ZX132DS15 pin configuration

Layer												
Bottom	Headers	J3	D0- 7	D2- 15	D4- 23	D6- 31	D8- 39	D10+ 47	D12+ 55	D14- 63	79- CLKn	87
			D0+ 8	D2+ 16	D4+ 24	D6+ 32	D8+40	D10- 48	D12- 56	D14+ 64	80+ Clkp	88
Top	Headers	J2	D1 + 12	D3+ 20	D5+ 28	D7+ 36	D9+ 44	D11+ 52	D13+60	D15+ 68	84	GND
			D1- 11	D3- 19	D5- 27	D7- 35	D9- 43	D11- 51	D13- 59	D15- 67	83	GND
TOP	BTH	J1										
BOTTOM												

Header numbering refers to the Samtec connector pin number

BTH footprint is identical to ASP65267-02, it mates with BSH050 and ASP-65067-01

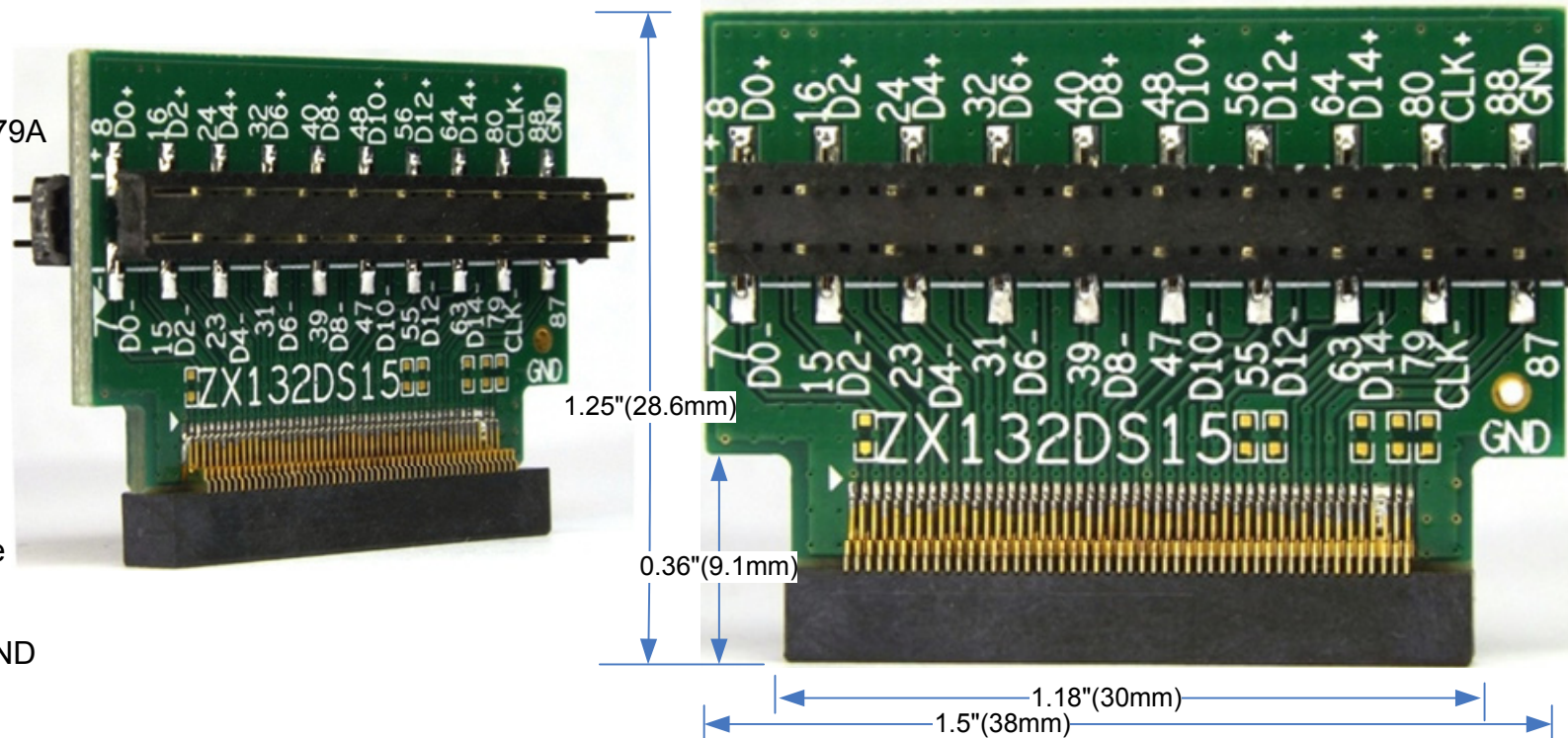
Dx- is referred to Negative signal of differential pair. Dx+ is the positive signal of differential pair.

Ground pins	1	5	9	13	17	21	25	29	33	37	41	45	49	53	57	61	65	69	73	77	81	85	89	93	95
	2	6	10	14	18	22	26	30	34	38	42	46	50	54	58	62	66	70	74	78	82	86	90	94	96

Notice

ALL ZEBAX TECHNOLOGIES DESIGN SPECIFICATIONS, DRAWINGS, PUBLICATIONS, AND OTHER DOCUMENTS (TOGETHER AND SEPARATELY, "MATERIALS") ARE BEING PROVIDED "AS IS." ZEBAX MAKES NO WARRANTIES, EXPRESSED, IMPLIED, STATUTORY, OR OTHERWISE WITH RESPECT TO THE MATERIALS, AND EXPRESSLY DISCLAIMS ALL IMPLIED WARRANTIES OF NO INFRINGEMENT, MERCHANTABILITY, AND FITNESS FOR A PARTICULAR PURPOSE.

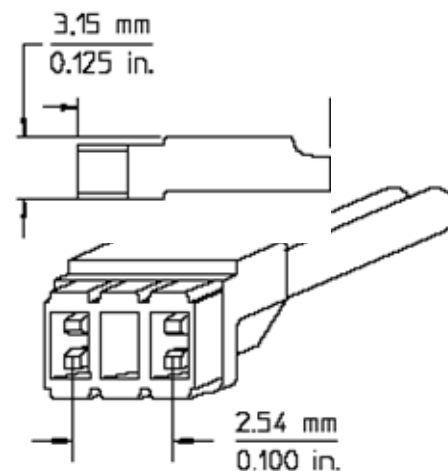
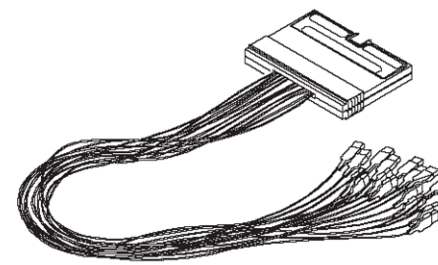
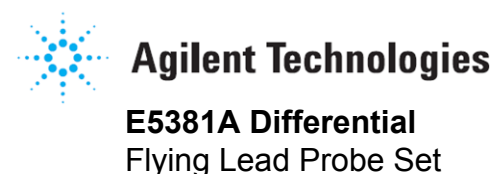
Information furnished is believed to be accurate and reliable. However, Zebax Technologies assumes no responsibility for the consequences of use of such information or for any infringement of patents or other rights of third parties that may result from its use. Specifications mentioned in this publication are subject to change without notice. This publication replaces all other information previously supplied. Zebax Technologies products are not authorized as in life support devices or systems.



NOTES:

- 1- The GND test point is connected to 2 internal GND layers. Please apply system ground for improved signal measurements
- 2- 0402 SMD Pads are available accessing reserved Samtec connector pins, see table below:

Accessible pins	3	71	75	91	97	99
	4	72	76	92	98	100



Note
ALL ZEBAX products are RoHS compliant and Lead Free unless otherwise indicated.

ZEBAX TECHNOLOGIES
SANTA CRUZ, CA U.S.A (831) 2 2 2 - 0717
WWW.ZEBAX.COM

SPECIFIED DIMENSIONS ARE INCHES (MM). ROHS COMPLIANT

ASSEMBLY DRAWING

ITEM: ZX132DS10 Samtec Probe

DESCRIPTION: Differential paired Samtec Probe Breakout Adapter E5378A E5379A Logic Analyzer probe

CHECKED: M. MARINA

DRAWN: SLAVIK

REVISION: 1.0

SHEET: 1 OF 1