

Product Name: ZXJS1173-05 1.5mm Pitch 5 conductors cable assembly

Product Description: 1.5mm pitch 5 conductors cable assembly wired in one-to-one connection configuration. Pin 1 of J1 is connected to Pin 1 of J2

Max. pin to pin impedance: < 2mΩ Max.

Connectors type:

J1 Receptacle (Socket)

J2 Receptacle (Socket)

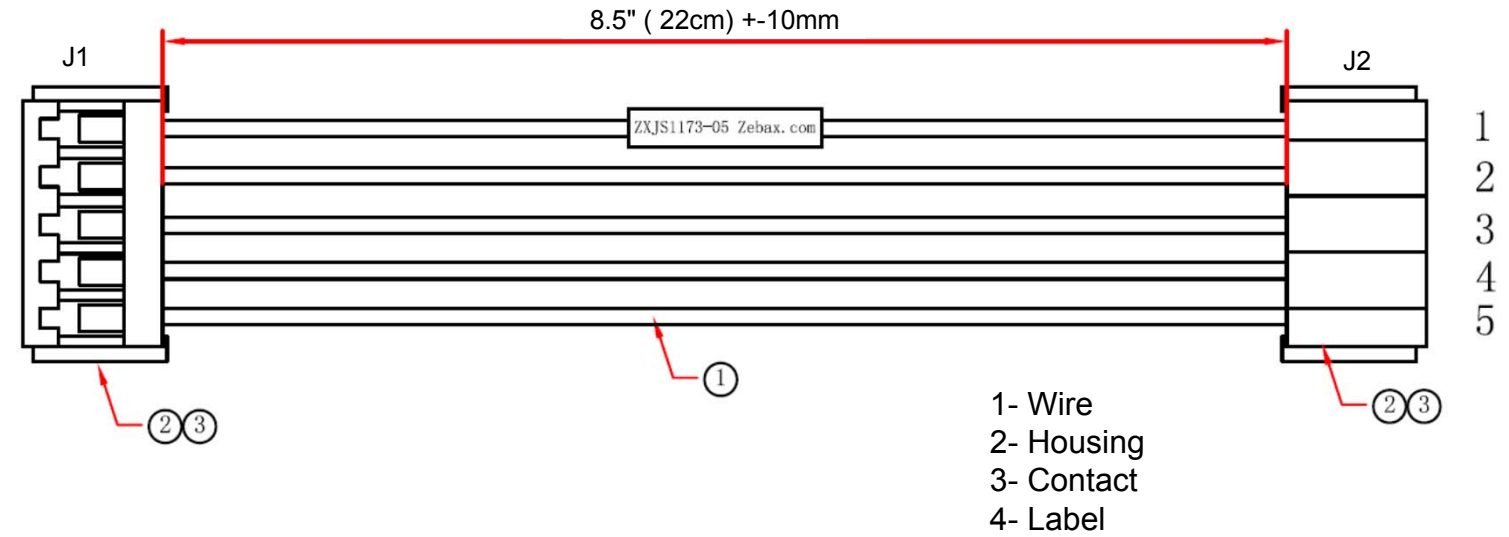
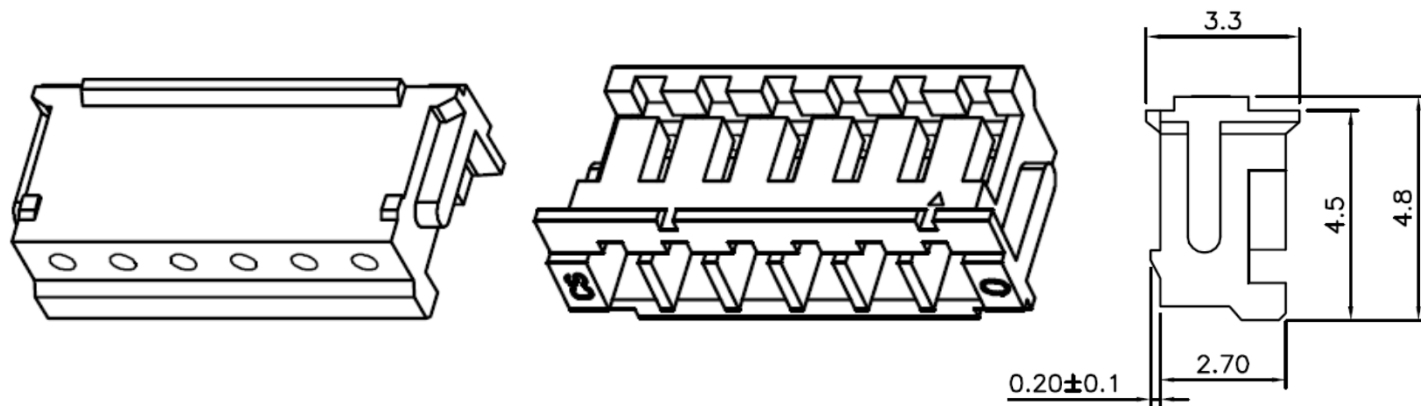
Application: Complementing ZX20x series test boards , or any general testing or board to board interface.

Mates with : 1.5mm pitch male connector

Cable assembly information:

Wire Type: Solid Core
 Poles (conductors): 5
 Gauge: 28 AWG
 Impedance: <2 mΩ Max
 Current rating: 1A AC/DC
 Voltage Rating: 50V AC/DC
 Insulation Resistance: 500M Ω min
 Withstanding Voltage: 500V AC/minute
 Maximum operating temperature: -25°C to +85°C
 Connector's housing Material: Nylon 66 UL94V-0

Housing : Below is mechanical dimensions and 3D picture of the connector's housing



Note: Straight connection configuration where pin 1 of J1 is connected to Pin 1 of J2



Ordering INFO:
 Part Number: ZXJS1173-05

Note
 ALL ZEBAX products are RoHS compliant and Lead Free unless otherwise indicated.

Notice

ALL ZEBAX TECHNOLOGIES DESIGN SPECIFICATIONS, DRAWINGS, PUBLICATIONS, AND OTHER DOCUMENTS (TOGETHER AND SEPARATELY, "MATERIALS") ARE BEING PROVIDED "AS IS." ZEBAX MAKES NO WARRANTIES, EXPRESSED, IMPLIED, STATUTORY, OR OTHERWISE WITH RESPECT TO THE MATERIALS, AND EXPRESSLY DISCLAIMS ALL IMPLIED WARRANTIES OF NO INFRINGEMENT, MERCHANTABILITY, AND FITNESS FOR A PARTICULAR PURPOSE.

Information furnished is believed to be accurate and reliable. However, Zebax Technologies assumes no responsibility for the consequences of use of such information or for any infringement of patents or other rights of third parties that may result from its use. Specifications mentioned in this publication are subject to change without notice. This publication replaces all other information previously supplied. Zebax Technologies products are not authorized as in life support devices or systems.

ZEBAX TECHNOLOGIES		
SANTA CRUZ, CA U.S.A (831) 222-0717		
WWW.ZEBAX.COM		
SPECIFIED DIMENSIONS ARE INCHES (MM). ROHS COMPLIANT	ASSEMBLY DRAWING	
	ITEM: ZXJS1173-05	
DESCRIPTION: 1.5mm Pitch 5 conductors cable assembly		
CHECKED: M. MARINA	DRAWN: SLAVIK	REVISION: 1.0
		SHEET: 1 OF 1