

**Product Name:** ZX230CPD-PRMCA USB Type C power delivery cable assembly designed for ZX230CPD USB Type C test module or general applications.

**Product Description:** Cable assembly designed for Zebax ZX230CPD ( USB type C power delivery breakout adapter) module providing power measurement accessory. Offering standard Banana Jack, interfacing to any standard test equipment. Maximum 2 test equipments ( power supply and multimeter ) can be attached to each banana clip, P1 or P2.

Max. pin to pin impedance: < 2mΩ Max.

Connectors type:

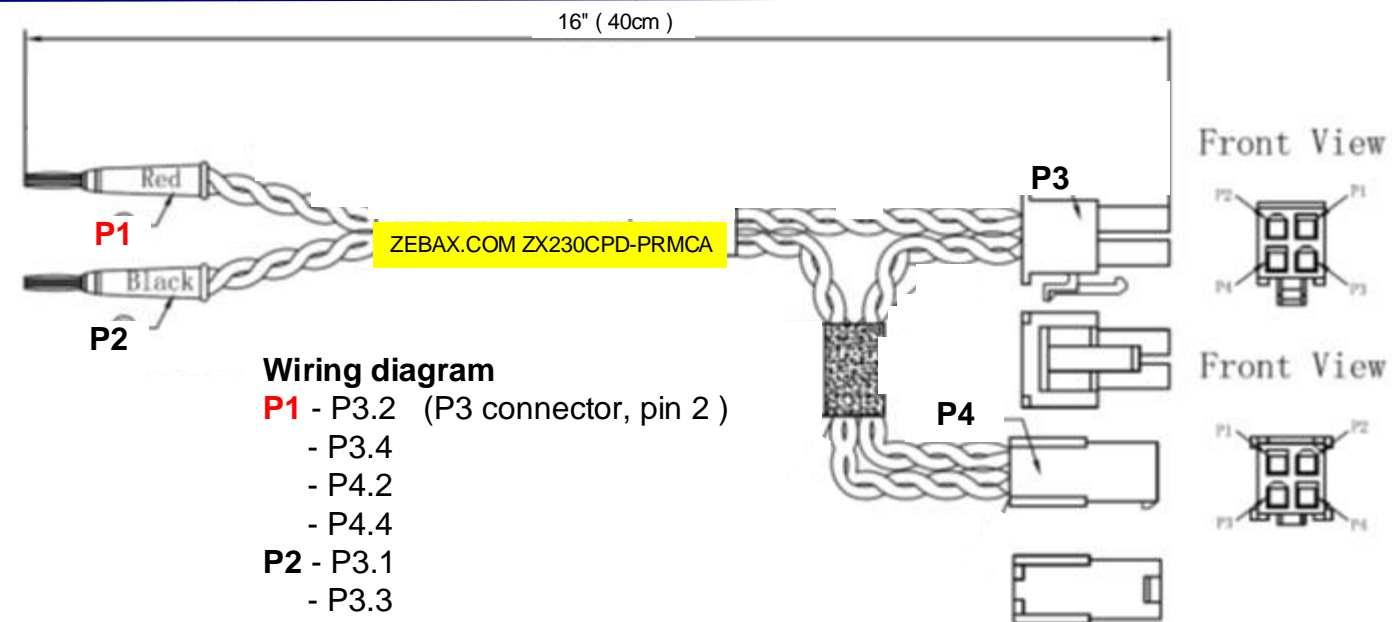
- P1, P2 Banana Jack Plug
- P3, MiniFit Jr Plug Housing ( 4.2mm pitch )
- P4, MiniFit Jr Receptacle Housing ( 4.2mm Pitch )

**Application:** Complementing ZX230CPD USB Type C power delivery modules ,or any general testing.

**Mates with :** Banana jack socket, found on any standard Power Supply, or Volt/current meter  
Molex SD-5557 5559 and headers Molex 5566 5569 4.2mm pitch

**Cable assembly information:**

Wire Type: Copper  
Poles ( conductors ): 2  
Gauge: 18 AWG  
Impedance: <2 Ω Max  
Current rating: 10A @30VDC  
Power: 300W ( max )  
Voltage Rating: 300V AC/DC 10msec  
Insulation Resistance: 50M Ω min  
Withstanding Voltage: 300V DC/minute  
Maximum operating temperature: -25°C to +85°C  
Connector's housing Material: Nylon 66 UL94V-0



**Wiring diagram**

- P1** - P3.2 (P3 connector, pin 2 )
- P3.4
- P4.2
- P4.4
- P2** - P3.1
- P3.3



**Package includes:**

Item	Part number	Quantity	Description
1	ZX230CPD-PRMCA	1	USB Type C power delivery cable assembly
2	ZX230CPD	0	USB type C power delivery module
3	ZX230-CPD-PRDCA	0	USB Type C power delivery cable assembly

**Ordering INFO:**

Part Number: ZX230CPD-PRMCA

Note  
ALL ZEBAX products are RoHS compliant and Lead Free unless otherwise indicated.

**ZEBAX TECHNOLOGIES**  
SANTA CRUZ, CA U.S.A (831) 222-0717  
WWW.ZEBAX.COM

SPECIFIED DIMENSIONS ARE INCHES (MM). ROHS COMPLIANT

**ASSEMBLY DRAWING**  
**ITEM: ZX230CPD-PRMCA**

**DESCRIPTION:** USB Type C power delivery cable assembly

CHECKED: M. MARINA      DRAWN: SLAVIK      REVISION: 1.0  
SHEET: 1 OF 1

**Notice**

ALL ZEBAX TECHNOLOGIES DESIGN SPECIFICATIONS, DRAWINGS, PUBLICATIONS, AND OTHER DOCUMENTS (TOGETHER AND SEPARATELY, "MATERIALS") ARE BEING PROVIDED "AS IS." ZEBAX MAKES NO WARRANTIES, EXPRESSED, IMPLIED, STATUTORY, OR OTHERWISE WITH RESPECT TO THE MATERIALS, AND EXPRESSLY DISCLAIMS ALL IMPLIED WARRANTIES OF NO INFRINGEMENT, MERCHANTABILITY, AND FITNESS FOR A PARTICULAR PURPOSE.

Information furnished is believed to be accurate and reliable. However, Zebax Technologies assumes no responsibility for the consequences of use of such information or for any infringement of patents or other rights of third parties that may result from its use. Specifications mentioned in this publication are subject to change without notice. This publication replaces all other information previously supplied. Zebax Technologies products are not authorized as in life support devices or systems.