

**Product Name:** SMA to IPEX MHF4L cable assembly - ZX00SMA-IPEXMHF4L

**Product Description:** 1.13 mm Coax cable assembly – SMA to IPEX MHF 4L connector.

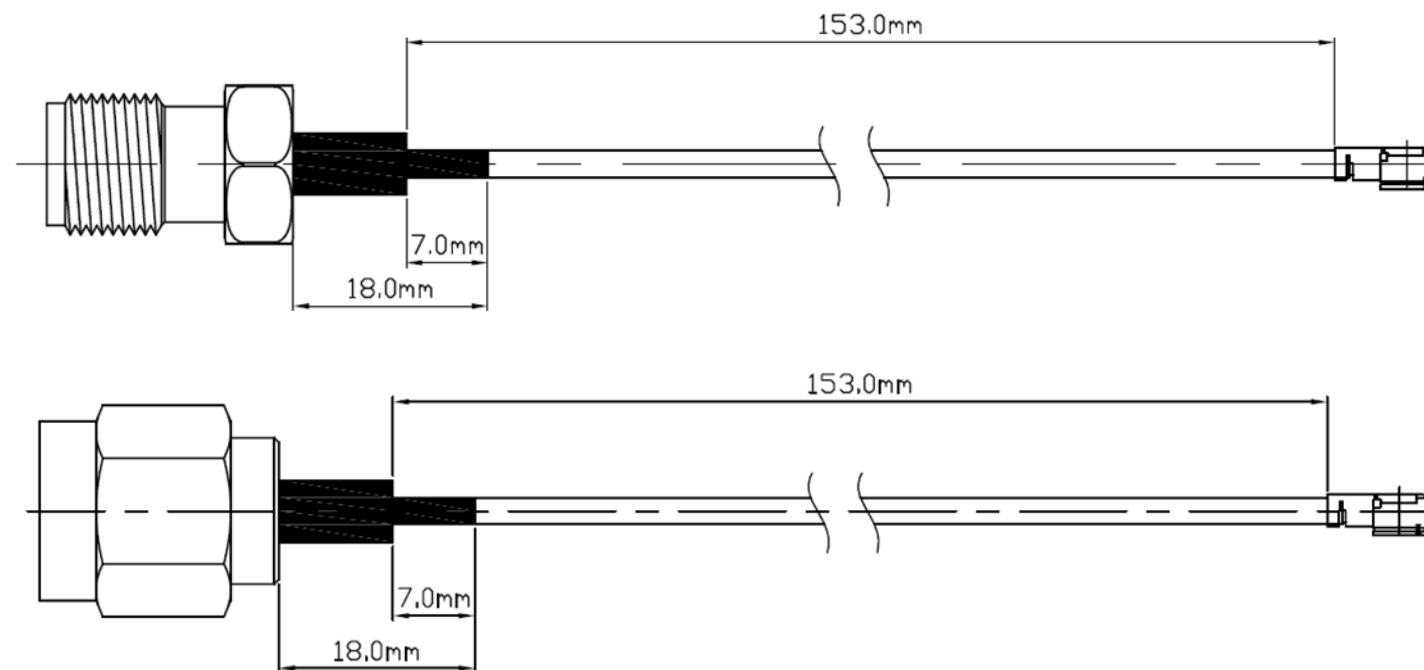
The cable assembly **mates with** standard IPEX MHF 4L as member of the MHF 4 series receptacle connector ( part number: 20449-001E ) reaching maximum V.S.W.R 1.3

SMA mates with counterpart, please see ordering information.

**Application:** General testing needs, specially CSI DSI USB HDMI high speed signal analysis .  
Interfacing with any SMA connector to IPEX MHF 4L series connector.

**Mates with :** IPEX MHF 4L series receptacle part number 20449-001E. **Note**, the 20449-001E receptacle mates with MHF 4 , MHF 4 SMT and MHF 4L series IPEX plug connectors. User may use ZX00SMA-IPEXMHF4L in applications where MHF 4 ( 20448-001R-081 ) or MHF 4 SMT ( 20462-001E ) plug connectors are used to mate with the receptacle since common receptacle is used for the IPEX MHF 4 series connector.

SMA connector mates with standard SMA connector, please see ordering information.



**Coax Cable information:**

Type: 1.13mm  
Attenuation: (dB/m): < 0.5dB  
Current Rating: 3A

**SMA Connector:**

Type: BRASS with Gold finish 5u” on RING  
35u” GOLD PLATED AT pin  
Insulator: PTFE

**IPEX MHF 4L :**

Housing: LCP  
Contact: P. Bronze + gold plating 5u”  
GND contact: P. Bronze + gold plating 5u  
Maximum height: 1.2mm using 20565-001R-13 Plug  
1.4mm using 20565-001R-13 Plug

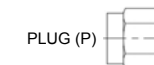
V.S.W.R:  
DC-3GHz: 1.3Max  
DC-6GHz: 1.45Max

Cable Gauge: 32 ( O.D. 1.13mm)  
Frequency: DC – 6GHz  
Characteristic impedance: 50Ω  
Rated Voltage: 60VAC  
Contact impedance: 20mmΩ Max.  
Withstand Voltage: 200VAC/min  
Insulation Resistance: 500MΩ Min. / 100VDC

V.S.W.R: Voltage Standing Wave Ratio

**Ordering INFO:**

Part Number  
ZX00SMA-IPEXMHF4L-X options  
J : SMA Jack ( Standard)  
P: SMA Plug connector



Note  
ALL ZEBAX products are RoHS compliant and Lead Free unless otherwise indicated.

<b>ZEBAX TECHNOLOGIES</b>		
SANTA CRUZ, CA U.S.A ( 8 3 1 ) 2 2 2 - 0 7 1 7		
WWW.ZEBAX.COM		
SPECIFIED DIMENSIONS ARE INCHES (MM). ROHS COMPLIANT		ASSEMBLY DRAWING
		ITEM: ZX00SMA-IPEXMHF4L
DESCRIPTION: SMA to IPEX MHF4L cable assembly		
CHECKED: M. MARINA	DRAWN: SLAVIK	REVISION: 1.0 SHEET: 1 OF 1

**Notice**

ALL ZEBAX TECHNOLOGIES DESIGN SPECIFICATIONS, DRAWINGS, PUBLICATIONS, AND OTHER DOCUMENTS (TOGETHER AND SEPARATELY, "MATERIALS") ARE BEING PROVIDED "AS IS." ZEBAX MAKES NO WARRANTIES, EXPRESSED, IMPLIED, STATUTORY, OR OTHERWISE WITH RESPECT TO THE MATERIALS, AND EXPRESSLY DISCLAIMS ALL IMPLIED WARRANTIES OF NO INFRINGEMENT, MERCHANTABILITY, AND FITNESS FOR A PARTICULAR PURPOSE.

Information furnished is believed to be accurate and reliable. However, Zebax Technologies assumes no responsibility for the consequences of use of such information or for any infringement of patents or other rights of third parties that may result from its use. Specifications mentioned in this publication are subject to change without notice. This publication replaces all other information previously supplied. Zebax Technologies products are not authorized as in life support devices or systems.