

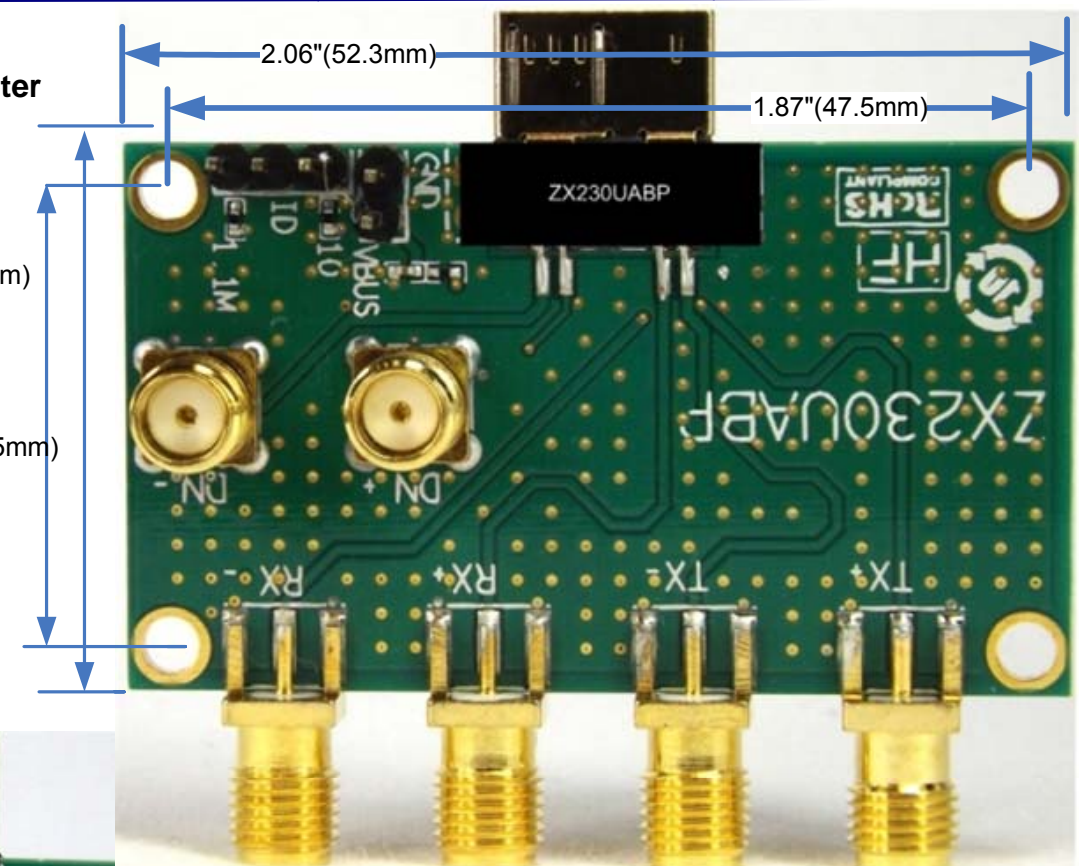
**Product Name:** ZX230ABP USB 3.0 3.1 Test Board - Type uAB Receptacle Transmitter & Receiver Test Fixture breakout adapter

**Product Description:** High Speed Inter-Chip HSIC USB 2.0 - SuperSpeed USB Inter-Chip USB 3.0 test board Transmitter and Receiver test fixture ( breakout Adapter ) with the USB2.0 USB 3.0 Type uAB connector

Designed meeting electrical compliance testing; eye diagram, jitter ( random, deterministic, total jitter, SCC profiles tests. Slew, Voltage levels and more).

Designed in 4 layer - 100 Ω differential trace impedance - electrical test measurement requirements.

Includes : USB3.0 Type uAB Plug with standard SMA connectors.  
Accessible 0.1" (2.54mm) pitch header, enabling "Power measurement" of the VBUS.



ZX230 Insertion loss Type uAB	
Freq.	Log Mag ( -dB)
100MHz	0.054
1.25GHz	0.63375
2.5GHz	1.4685
5GHz	2.56025

**Test Case:** Using ZX230ABP( Type uAB Plug) with ZX230ABR( type uAB Receptacle)  
**Network Analyzer:** Agilent, Model E5071C 4 ch. 8.5GHz

**Application:** Electrical test, Clock Jitter measurement, eye diagram, characterization test, Pre-certification full electrical test

**Mates with :** Type uAB – High Speed Inter-Chip HSIC USB 2.0 - SuperSpeed USB Inter-Chip Specification 3.0 Receptacle  
SMA – Brass with Gold finish 5u" on RING, 35u" GOLD Plated at pin. Insulator: PTFE  
Header 0.1" center, 0.025" SQ with 0.23" (5.8mm) post height

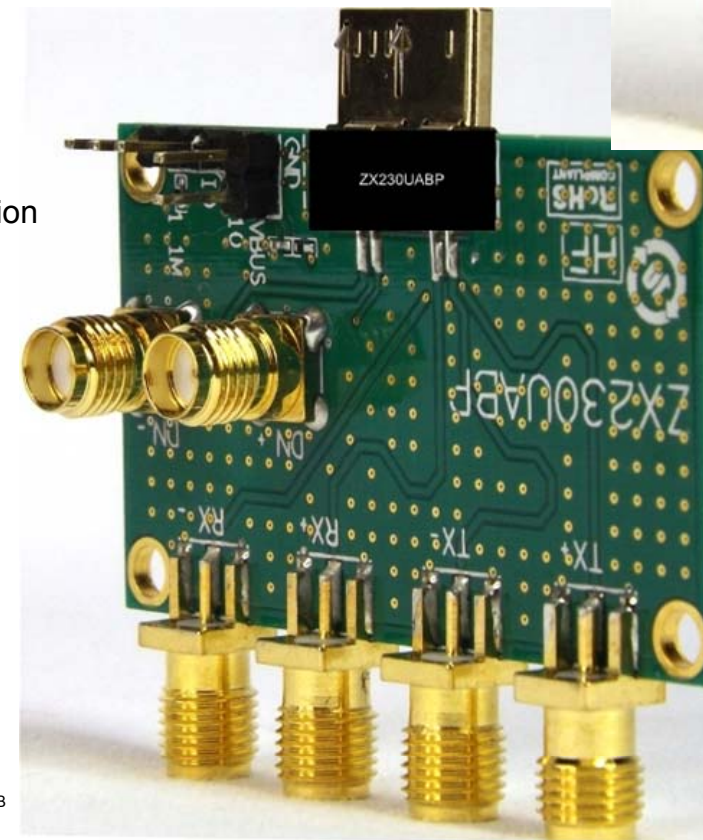
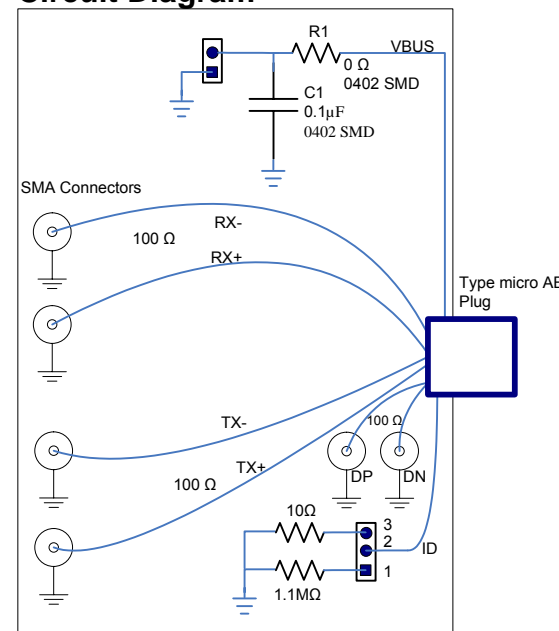
**Test procedure:** Compatible with Agilent, Tektronix and Lecroy automated test procedure

**Pinouts:** USB 2.0 USB 3.0 Type uAB Plug and the header pin assignments listed.

**USB Bandwidth :** Table below lists the standard USB USB 2.0 and USB 3.0 signal bandwidth.

USB	
Low Speed USB 2.0	1.5Mbps
Full Speed USB 2.0	12Mbps
High Speed USB 2.0	480Mbps
SuperSpeed USB3.0	5Gbps

**Circuit Diagram**



Type mirco AB	
Pin	Function
1	VBUS
2	DN
3	DP
4	ID
4	GND
5	RX-
6	RX+
7	GND
8	TX-
9	TX+

Power	
Pin	Function
1	GND
2	VBUS

ID	
Pin	Function
1	10 Ω to GND,
2	ID
3	1.1M Ω to GND

VBUS Power measurements:  
Use **JVBUS** for power measurements.

**Note**  
ALL ZEBAX products are RoHS compliant and Lead Free unless otherwise indicated.

**ZEBAX TECHNOLOGIES**  
SANTA CRUZ, CA U.S.A (831) 222-0717  
WWW.ZEBAX.COM

SPECIFIED DIMENSIONS ARE INCHES (MM). ROHS COMPLIANT	ASSEMBLY DRAWING	
	ITEM: ZX230ABP USB 3.0 Test Board	

**DESCRIPTION: HSIC USB 2.0 SuperSpeed Inter-Chip USB 3.0 Test Board – Type uAB Receptacle breakout adapter Test Fixture**

CHECKED: M. MARINA	DRAWN: SLAVIK	REVISION: 1.0 SHEET: 1 OF 1
-----------------------	------------------	--------------------------------

Notice

ALL ZEBAX TECHNOLOGIES DESIGN SPECIFICATIONS, DRAWINGS, PUBLICATIONS, AND OTHER DOCUMENTS (TOGETHER AND SEPARATELY, "MATERIALS") ARE BEING PROVIDED "AS IS." ZEBAX MAKES NO WARRANTIES, EXPRESSED, IMPLIED, STATUTORY, OR OTHERWISE WITH RESPECT TO THE MATERIALS, AND EXPRESSLY DISCLAIMS ALL IMPLIED WARRANTIES OF NO INFRINGEMENT, MERCHANTABILITY, AND FITNESS FOR A PARTICULAR PURPOSE.

Information furnished is believed to be accurate and reliable. However, Zebax Technologies assumes no responsibility for the consequences of use of such information or for any infringement of patents or other rights of third parties that may result from its use. Specifications mentioned in this publication are subject to change without notice. This publication replaces all other information previously supplied. Zebax Technologies products are not authorized as in life support devices or systems.