

Product Name: ZX230AR USB 3.0 3.1 Test Board - Type A Receptacle Transmitter & Receiver Test Fixture breakout adapter

Product Description: High Speed Inter-Chip HSIC USB 2.0 - SuperSpeed USB Inter-Chip USB 3.0 test board Transmitter and Receiver test fixture (breakout Adapter) with the USB2.0 USB 3.0 Type A connector

Designed meeting electrical compliance testing; eye diagram, jitter (random, deterministic, total jitter, SCC profiles tests. Slew, Voltage levels and more).

Designed in 4 layer - 100 Ω differential trace impedance - electrical test measurement requirements.

Includes : USB3.0 **Type A** Receptacle with standard SMA connectors.
Accessible 0.1" (2.54mm) pitch header, enabling "Power measurement" of the VBUS.

ZX230 Insertion loss - Type A	
Freq.	Log Mag (-dB)
100MHz	0.04775
1.25GHz	0.9045
2.5GHz	1.03775
5GHz	3.87325

Test Case: Using ZX230AP(Type A Plug) with ZX230AR(type A Receptacle)
Network Analyzer: Agilent, Model E5071C 4 ch. 8.5GHz

Application: Electrical test, Clock Jitter measurement, eye diagram, characterization test, Pre-certification full electrical test

Mates with : **Type A** – High Speed Inter-Chip HSIC USB 2.0 - SuperSpeed USB Inter-Chip Specification 3.0 Plug
SMA – Brass with Gold finish 5u" on RING, **35u"** GOLD Plated at pin. Insulator: PTFE
Header 0.1" center, 0.025" SQ with 0.23" (5.8mm) post height

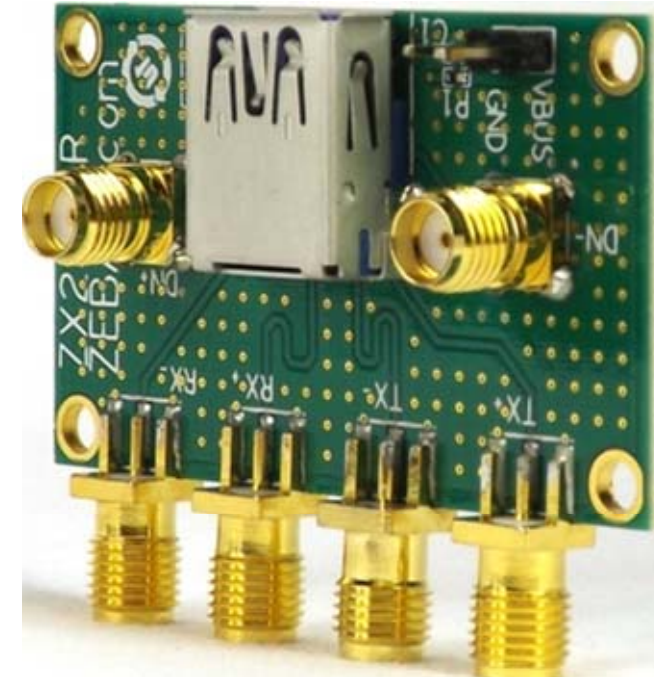
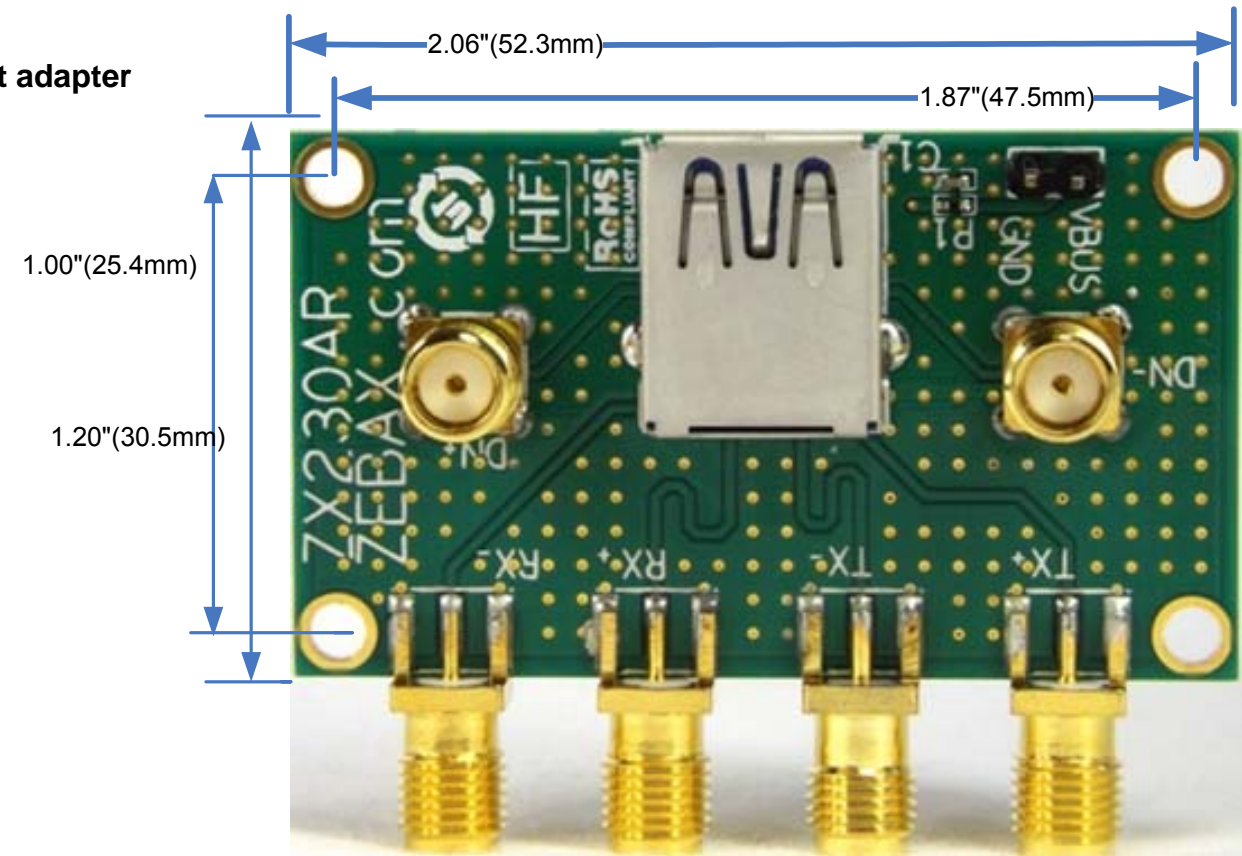
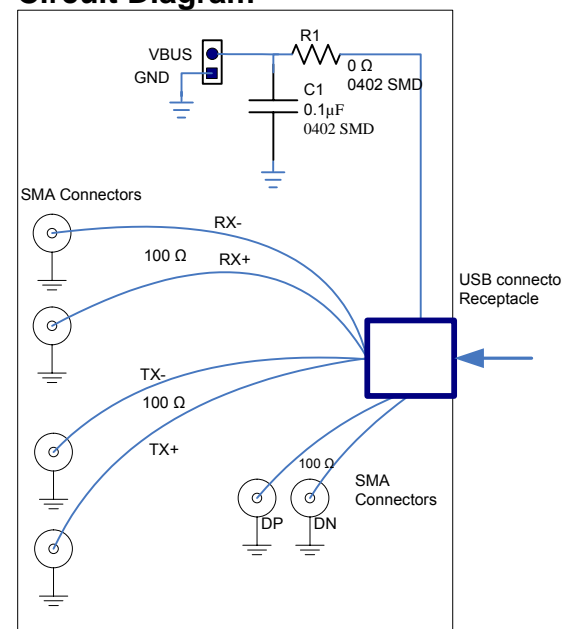
Test procedure: Compatible with Agilent, Tektronix and Lecroy automated test procedure

Pinouts: **USB 2.0 USB 3.0 Type A Receptacle** and the header pin assignments listed.

USB Bandwidth : Table below lists the standard USB USB 2.0 and USB 3.0 signal bandwidth.

USB	
Low Speed USB 2.0	1.5Mbps
Full Speed USB 2.0	12Mbps
High Speed USB 2.0	480Mbps
SuperSpeed USB3.0	5Gbps

Circuit Diagram



Type A Receptacle	
Pin	Function
1	VBUS
2	DN
3	DP
4	GND
5	RX-
6	RX+
7	GND
8	TX-
9	TX+

Power	
Pin	Function
1	GND
2	VBUS

VBUS Power measurements:
Use **JVBUS** for power measurements.

Note
ALL ZEBAX products are RoHS compliant and Lead Free unless otherwise indicated.

ZEBAX TECHNOLOGIES SANTA CRUZ, CA U.S.A (831) 222-0717 WWW.ZEBAX.COM		
SPECIFIED DIMENSIONS ARE INCHES (MM). ROHS COMPLIANT	ASSEMBLY DRAWING	
	ITEM: ZX230AR USB 3.0 Test Board	
DESCRIPTION: HSIC USB 2.0 SuperSpeed Inter-Chip USB 3.0 Test Board – Type A Receptacle breakout adapter Test Fixture		
CHECKED: M. MARINA	DRAWN: SLAVIK	REVISION: 1.0 SHEET: 1 OF 1

Notice
ALL ZEBAX TECHNOLOGIES DESIGN SPECIFICATIONS, DRAWINGS, PUBLICATIONS, AND OTHER DOCUMENTS (TOGETHER AND SEPARATELY, "MATERIALS") ARE BEING PROVIDED "AS IS." ZEBAX MAKES NO WARRANTIES, EXPRESSED, IMPLIED, STATUTORY, OR OTHERWISE WITH RESPECT TO THE MATERIALS, AND EXPRESSLY DISCLAIMS ALL IMPLIED WARRANTIES OF NO INFRINGEMENT, MERCHANTABILITY, AND FITNESS FOR A PARTICULAR PURPOSE.
Information furnished is believed to be accurate and reliable. However, Zebax Technologies assumes no responsibility for the consequences of use of such information or for any infringement of patents or other rights of third parties that may result from its use. Specifications mentioned in this publication are subject to change without notice. This publication replaces all other information previously supplied. Zebax Technologies products are not authorized as in life support devices or systems.