

Product Name: ZX210mDP Display Port, DP 1.4 HBR3 , CTS 1.2b breakout adapter – test module TPA-P TDR mini plug

Product Description:

Display Port , DP, 1.4 HBR3 breakout adapter – test module - Test Access Point Plug (TPA-P TDR) supporting mini DP plug connector for applications requiring electrical breakout adapter for measurements & signal analysis for signal jitter, eye diagram and tests, covering 1.62GHz, 2.7GHz, 5.4GHz and 8.1GHz signal bandwidth. ZX210mDP mini DP breakout adapter – test module, supports full High Bit Rate, HBR (2.7GHz) , HBR2 (5.4GHz), HBR3 (8.1GHz) as well as the Reduced Bit Rate/Low Bit Rate (1.62GHz) signal bandwidth.

- ZX210mDP supports Display Port’s mini plug connector, mating with mini receptacle connector.
- Multi-Layer PCB design, with improved signal integrity and crosstalk
- Insertion loss: 6GHz : ≤ -3dB 8GHz : ≤ -4.5dB
- Designed for 16GHz bandwidth.
- Includes 20 pc of 5" (13cm) long semi-flexible cable assemblies with SMA Jack connectors.
- Access to All 20 HDMI signals.
- Access to internal GND planes as well as TOP/Bottom GND fills via GND Test Points
- Display port breakout adapter – test module , supports electrical test measurement & analysis for:
 - HBR : High Bit Rate (2.7Gbps / lane)
 - HBR2 : High Bit Rate 2 (5.4Gbps / lane)
 - HBR3 : High Bit Rate 3 (8.1Gbps / lane)

**S-Parameter, Insertion loss:
See Page 2**

- For proper signal measurements, please connect GND test point to system GND. The GND test points are connected to internal GND planes as well as TOP/Bottom GND fills.
- The DP connector’s case may be connected to the module’s GND planes by installing 0 Ω in R1, R2 locations. As default the connector’s case is not connected to the module’s GND planes.

ZX210mDP-J includes 5" (13cm) long semi-flexible cable assemblies with SMA Plug or Jack connectors interfacing directly to scope probe or other cable assemblies.

The ZX210mDP-J DP breakout adapter is characterized using the supplied cable assemblies to test equipment. Tektronix DPO71604C scope using P7313SMA differential probes. Keysight DSA164A Infiniium scope using N2800A probes + differential probe leads N54444A.

Application: mini Display Port, DP, 1.4 HBR3 electrical test, Clock Jitter, eye diagram, single ended & differential ended signaling electrical measurement & analysis.

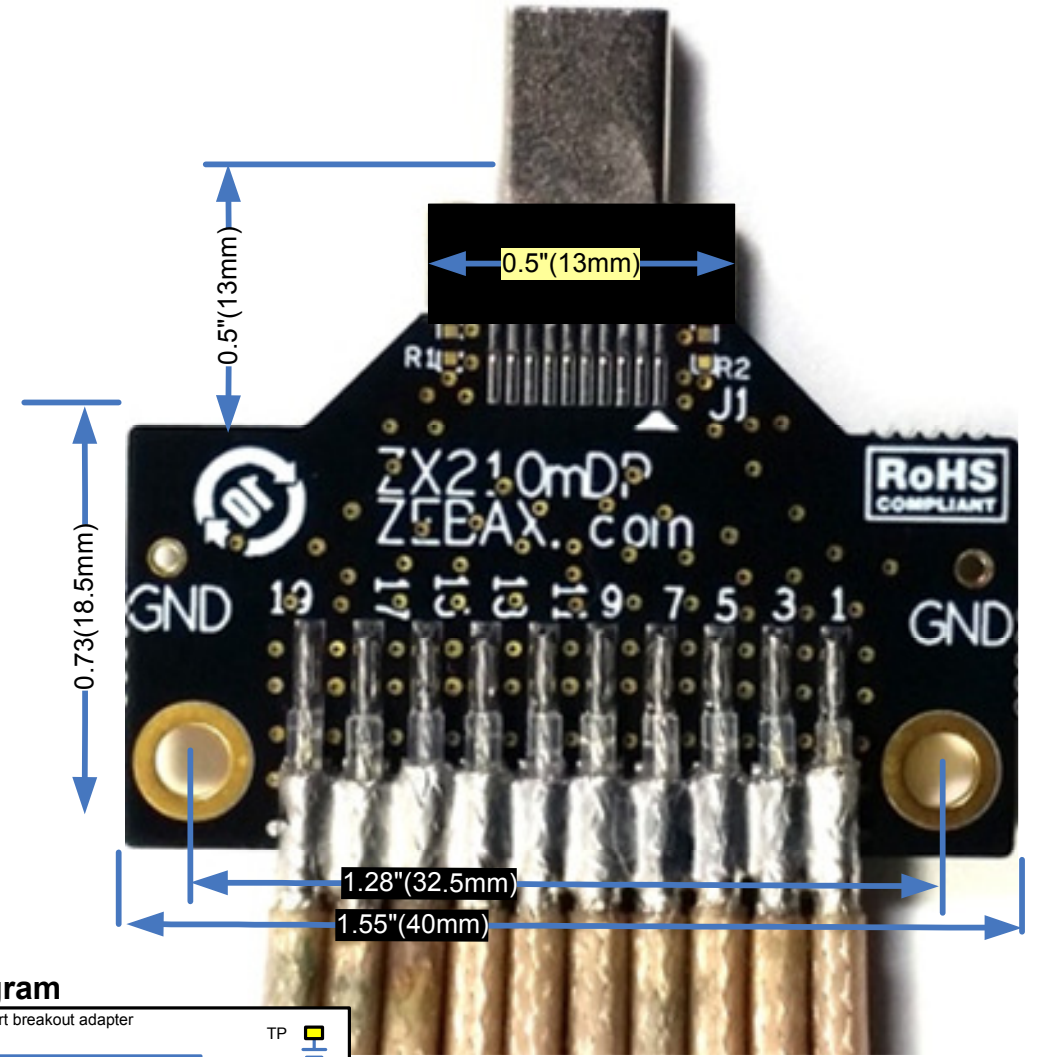
Supported resolutions: HBR3, 8K UHD TV (7680x4320) @ 60 Hz 4:2:0 subsampling.

Mates with : mini Display Port, DP, Standard plug connector.
SMA connectors mates with standard SMA cable assembly , please see ordering information

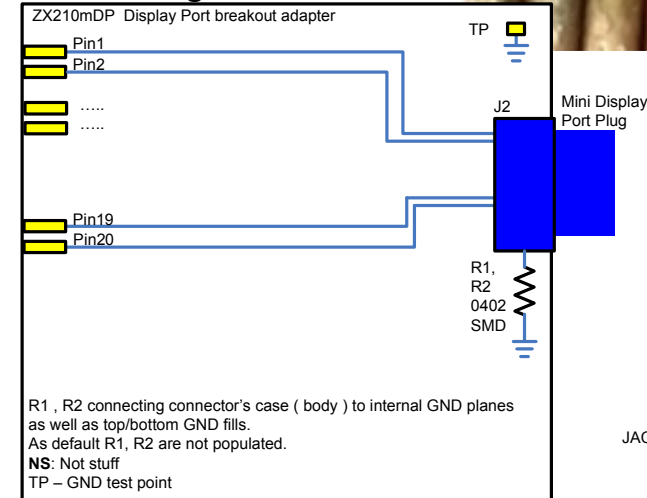
Test procedure: [ZXAN-DP-1.4-Test-Procedure](#) application note provides Display Port, DP, test procedure.

Package includes:

Item	Part number	Quantity	Description
1	ZX210mDP-J	1	Display Port, DP , HBR3 Breakout Adapter TPA-P mini plug
2	ZX200L508-HD	0	USB based Termination board
3	ZX00WT9NM	0	SMA Wrench Torque 5/16" (8mm) 9 NM (8lb-in)



Circuit Diagram



Ordering INFO:
Part Number: ZX210mDP-J

Note
ALL ZEBAX products are RoHS compliant and Lead Free unless otherwise indicated.

ZEBAX TECHNOLOGIES
 SANTA CRUZ, CA U.S.A (831) 222-0717
 WWW.ZEBAX.COM

SPECIFIED DIMENSIONS ARE INCHES (MM). ROHS COMPLIANT

ASSEMBLY DRAWING
 ITEM: ZX210mDP-J

DESCRIPTION: Mini Display Port DP 1.4 HBR3 breakout adapter TPA-P TDR plug

CHECKED: M. MARINA DRAWN: SLAVIK REVISION: 1.0
 SHEET: 1 OF 2

Notice
 ALL ZEBAX TECHNOLOGIES DESIGN SPECIFICATIONS, DRAWINGS, PUBLICATIONS, AND OTHER DOCUMENTS (TOGETHER AND SEPARATELY, "MATERIALS") ARE BEING PROVIDED "AS IS." ZEBAX MAKES NO WARRANTIES, EXPRESSED, IMPLIED, STATUTORY, OR OTHERWISE WITH RESPECT TO THE MATERIALS, AND EXPRESSLY DISCLAIMS ALL IMPLIED WARRANTIES OF NO INFRINGEMENT, MERCHANTABILITY, AND FITNESS FOR A PARTICULAR PURPOSE.
 Information furnished is believed to be accurate and reliable. However, Zebax Technologies assumes no responsibility for the consequences of use of such information or for any infringement of patents or other rights of third parties that may result from its use. Specifications mentioned in this publication are subject to change without notice. This publication replaces all other information previously supplied. Zebax Technologies products are not authorized as in life support devices or systems.

Product Name: ZX210mDP Display Port, DP 1.4 HBR3 , CTS 1.2b breakout adapter – test module TPA-P TDR mini plug Cont's

Test Record: Test record for the ZX210mDP-J TPA-P TDR mini Display Port breakout adapter – test module

[ZXTR-ZX210mDP-J](#)

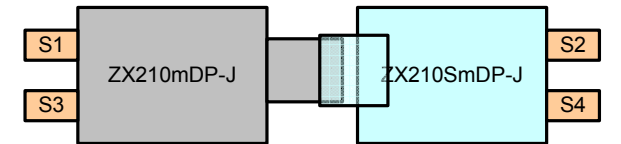
Insertion loss: Very low insertion loss typical -4.5dB at 8.1GHz

Insertion loss table

Frequency	Insertion Loss (dB)		
	Min	Typical	Max.
1.62GHz	-2.70	-3.00	-3.10
2.7GHz	-2.70	-3.00	-3.10
5.4GHz	-7.00	-7.50	-7.90
8.1GHz	-10.00	-9.00	-11.00

S-Parameter files: The S-Parameter was obtained using mated ZX210mDP-J and ZX210SmDP-J mini Display Port breakout adapter – test module as shown above. Please download the S-Parameter files, .s2p files for all the 20 signals :

[ZX210mDP-ZX210SmDP-s-parameter](#)



Test network : ZX210mDP (Plug) & ZX210SmDP (Receptacle) via the supplied SMA cable assembly via connector pins 1 through 20
S12 : Pin 1 .. Pin 20



Display Port Connector type (Plug)				Display Port Connector type(mini Plug - mDP)					
Pin	Labeled Coax	Connector Front		Connector Standard (Plug)	Pin	Labeled Coax	Connector		Connector type (mini Plug - mDP)
		Top	Bottom				Top	Bottom	
1	T3_N / R0_P			ML3N_ML0P	1		1		GND
2			2	GND	2	J1.2 HPD		2	HPD
3	T3_P / R0_N	3		ML3P_ML0N	3	T0_P / R3_N	3		MLOP_ML3N
4	T2_N / R1_P		4	ML2N_ML1P	4	J1.3 CFG1		4	CONFIG1
5		5		GND	5	T0_N / R3_P	5		ML0N_ML3P
6	T2_P / R1_N		6	ML2P_ML1N	6	J1.4 CFG2		6	CONFIG2
7	T1_N / R2_P	7		ML1N_ML2P	7			7	GND
8			8	GND	8			8	GND
9	T1_P / R2_N	9		ML1P_ML2N	9	T1_P / R2_N	9		ML1P_ML2N
10	T0_N / R3_P		10	ML0N_ML3P	10	T3_P / R0_N		10	ML3P_ML0N
11		11		GND	11	T1_N / R2_P	11		ML1N_ML2P
12	T0_P / R3_N		12	MLOP_ML3N	12	T3_N / R0_P		12	ML3N_ML0P
13	J1.3 CFG1	13		CONFIG1	13			13	GND
14	J1.4 CFG2		14	CONFIG2	14			14	GND
15	AUX+	15		AUX+	15	T2_P / T1_N	15		ML2P_ML1N
16			16	GND	16	AUX+		16	AUX+
17	AUX-	17		AUX-	17	T2_N / T1_P	17		ML2_ML1+
18	J1.2 HPD		18	HPD	18	AUX-		18	AUX-
19		19		GND	19			19	GND
20	J1.1 VS		20	DP_PWR (3.3V)	20	J1.1 VS		20	DP_PWR

MLxN / MLyP: MLxN when Upstream(UFP)

MLyP when Downstream(DFP)

ZX210D, ZX210mD are UFP, Upstream Facing Port

ZX210SD, ZX210SmD are DFP, DownStream Facing Port.

HPD: Hot Plug Detect

MLxN / MLyP: MLxN when Upstream(UFP)

MLyP when Downstream(DFP)

ZX210D, ZX210mD are UFP, Upstream Facing Port

ZX210SD, ZX210SmD are DFP, DownStream Facing Port.

HPD: Hot Plug Detect

Note

ALL ZEBAX products are RoHS compliant and Lead Free unless otherwise indicated.

ZEBAX TECHNOLOGIES		
SANTA CRUZ, CA U.S.A (831) 2 2 2 – 0717		
WWW.ZEBAX.COM		
SPECIFIED DIMENSIONS ARE INCHES (MM). ROHS COMPLIANT	ASSEMBLY DRAWING	
	ITEM: ZX210mDP-J	
DESCRIPTION: Mini Display Port DP 1.4 HBR3 breakout adapter TPA-P TDR plug		
CHECKED: M. MARINA	DRAWN: SLAVIK	REVISION: 1.0
		SHEET: 2 OF 2

Notice

ALL ZEBAX TECHNOLOGIES DESIGN SPECIFICATIONS, DRAWINGS, PUBLICATIONS, AND OTHER DOCUMENTS (TOGETHER AND SEPARATELY, "MATERIALS") ARE BEING PROVIDED "AS IS." ZEBAX MAKES NO WARRANTIES, EXPRESSED, IMPLIED, STATUTORY, OR OTHERWISE WITH RESPECT TO THE MATERIALS, AND EXPRESSLY DISCLAIMS ALL IMPLIED WARRANTIES OF NO INFRINGEMENT, MERCHANTABILITY, AND FITNESS FOR A PARTICULAR PURPOSE.

Information furnished is believed to be accurate and reliable. However, Zebax Technologies assumes no responsibility for the consequences of use of such information or for any infringement of patents or other rights of third parties that may result from its use. Specifications mentioned in this publication are subject to change without notice. This publication replaces all other information previously supplied. Zebax Technologies products are not authorized as in life support devices or systems.