

Product Name: ZX102-QSH060ST Samtec Breakout Adapter

Product Description: 60 pins per row x 2 rows --> 120 pins Samtec QSH breakout adapter supporting Samtec QSH 060 socket (receptacle) connector. ZX102QSH is designed for test and measurement applications; It has onboard QSH connector, mating with QTH header connector. ZX102QSH has onboard Samtec QSH socket (receptacle) connector, mating with any height and formfactor QTH header (plug) connector series.

- 1- Each Samtec QSH socket connector's signal is routed to onboard header.
- 2- Listed number adjacent to each header pin represents the associated Samtec QSH socket pin number.
- 3- All traces are 50 Ohms impedance controlled.
- 4- Four layers PCB design, inner layers are GND planes.
- 5- One accessible GND test point, The test point is connected to module's GND planes and direct interface to the connector's GND blade.
- 6- Ease of interface with single channel and differential scope probes.
- 7- Fully compatible with Single Ended , -D, and Differential Pair, -DP, Samtec connector QSH QTH series as well as cable assemblies; HQCD , HQDP
- 8- Mates with any height and form factor QSH-030 connector series such as -D -DP, -RA, -EM configurations.
- 9- Flying lead wire assembly may be used for board to board interface – See ordering information, see [ZX100ACC-SS](#)

Electrical:
 Insertion loss > -2dB @3GHz
 Trace impedance: 50 Ω
 Operating Temperature: -55°C to +125°C
 Samtec Connector:

Onboard Connector: Samtec QSH socket 2rows x 60 pins/row
 Mates with: Any QTH060-xx header (plug) formfactor
 Pitch: 0.0197" (0.5mm) pin to pin pitch
 Plating: Gold Flash
 Header:
 Pitch: 0.1" (2.54mm) pin to pin pitch
 Pin: Square 0.025" (0.635mm)
 Height: 0.24" (6mm)
 Plating: Gold Flash

Application: Bringup, testing, emulation, development, modular design evaluations

Mates with : Samtec QTH060 QTH040(DP) Also mates with ANY two banks of QTH : QTH090 QTH120 : QTH060(DP) QTH080(DP) HFHM2 HQCD, HQDP
 Compatible with – differential Pair (DP), unused signal can be left unconnected or Grounded for improved noise immunity.

Signal assignments: Table below exhibits the assigned Samtec pin numbers associated with the headers for top and bottom sides of the module.

ZX102-QSH060 header pin assignments J1: QSH060

		ZX102-QSH060 header pin assignments J1: QSH060															
Bottom	Headers	J5	4	12	20	28	36	44	52	60	68	76	84	92	100	108	116
			2	10	18	26	34	42	50	58	66	74	82	90	98	106	114
	Headers	J4	8	16	24	32	40	48	56	64	72	80	88	96	104	112	120
			6	14	22	30	38	46	54	62	70	78	86	94	102	110	118
Top	Headers	J2	7	15	23	31	39	47	55	63	71	79	87	95	103	111	119
			5	13	21	29	37	45	53	61	69	77	85	93	101	109	117
	Headers	J3	3	11	19	27	35	43	51	59	67	75	83	91	99	107	115
			1	9	17	25	33	41	49	57	65	73	81	89	97	105	113

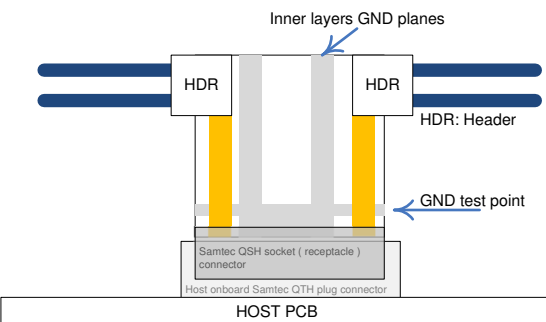
Header pin numbers refer to the SAMTEC QSH connector pin number

Notice

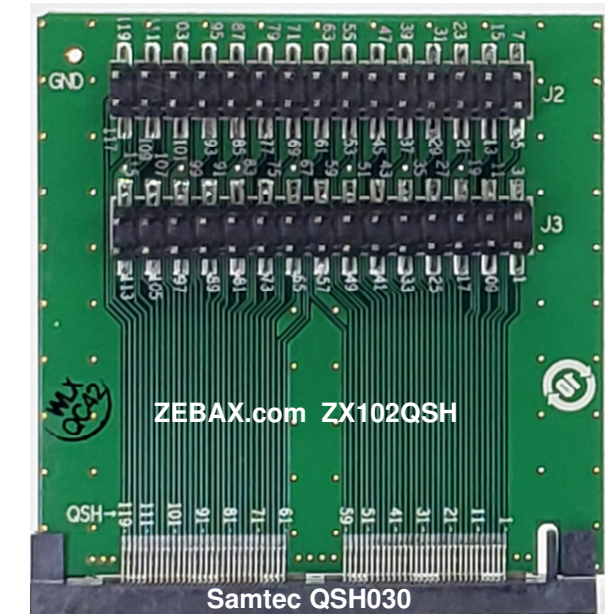
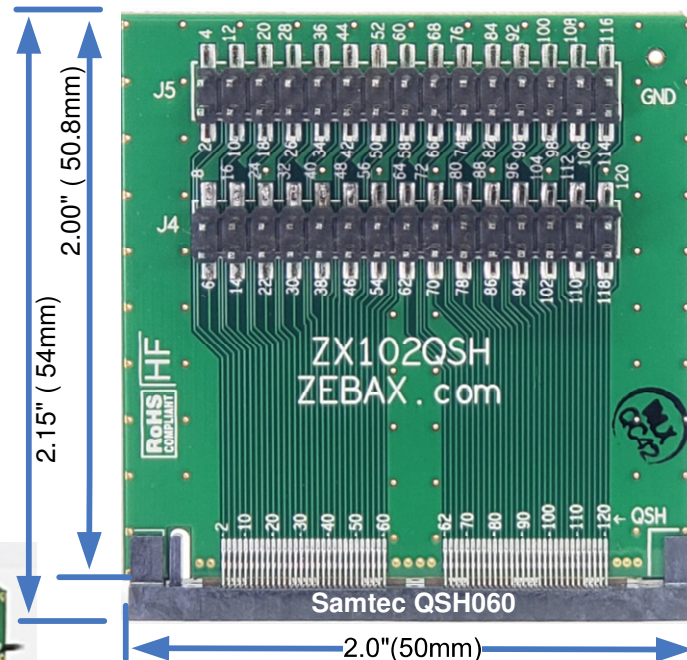
ALL ZEBAX TECHNOLOGIES DESIGN SPECIFICATIONS, DRAWINGS, PUBLICATIONS, AND OTHER DOCUMENTS (TOGETHER AND SEPARATELY, "MATERIALS") ARE BEING PROVIDED "AS IS." ZEBAX MAKES NO WARRANTIES, EXPRESSED, IMPLIED, STATUTORY, OR OTHERWISE WITH RESPECT TO THE MATERIALS, AND EXPRESSLY DISCLAIMS ALL IMPLIED WARRANTIES OF NO INFRINGEMENT, MERCHANTABILITY, AND FITNESS FOR A PARTICULAR PURPOSE.

Information furnished is believed to be accurate and reliable. However, Zebax Technologies assumes no responsibility for the consequences of use of such information for any infringement of patents or other rights of third parties that may result from its use. Specifications mentioned in this publication are subject to change without notice. This publication replaces all other information previously supplied. Zebax Technologies products are not authorized as in life support devices or systems.

ZX102QSH simplified cross section diagram



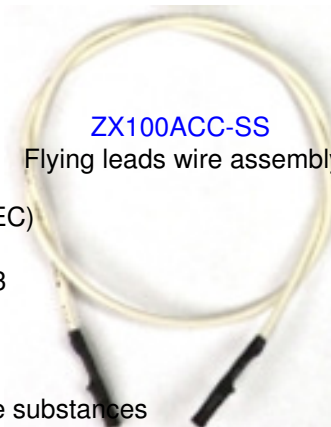
Note:
 Signal layers
 Ground layers, Please note – The GND test point is connector to:
 1- Top/Bottom GND fill
 2- The inner layers ground planes
 3- Samtec QSH connector GND blade.



Compliance:

- ISO2001 certified
- RoHS - Lead Free
- EU RoHS2
- UL E111594 document
- ELV- Vehicle Directive (Directive 2000/EC)
- European Union Directive (203/11/EC)
- Halogen Free per IEC-61249-2.21 : 2003
- RoHS Directive 2011/65/EU
- WEEE Directive (2012/12/EU)

- Certificate of Compliance for Radioactive substances
- Certificate of Compliance for Asbestos
- Certificate of Compliance for Ozone Depleting Substances, ODS
- Certificate REACH SVHC
- Certificate of Compliance RoHS_EN_CoC



ZX102QSH package includes:

Part number	Quantity	Description
ZX102QSH	1	TE Breakout Adapter module
ZX100ACC-SS	0	Flying leads wire assembly

[ZX100ACC-SS site page](#) for ordering the flying leads wire assembly

Note

ALL ZEBAX products are RoHS compliant and Lead Free unless otherwise indicated.

ZEBAX TECHNOLOGIES
 SANTA CRUZ, CA U.S.A (831) 222-0717
 WWW.ZEBAX.COM

SPECIFIED DIMENSIONS ARE INCHES (MM). ROHS COMPLIANT	ASSEMBLY DRAWING ITEM: ZX102QSH
--	--

DESCRIPTION: Samtec breakout adapter QSH 060

CHECKED: M. MARINA	DRAWN: MATTHEEW	REVISION: 1.0 SHEET: 1 OF 1
------------------------------	---------------------------	--