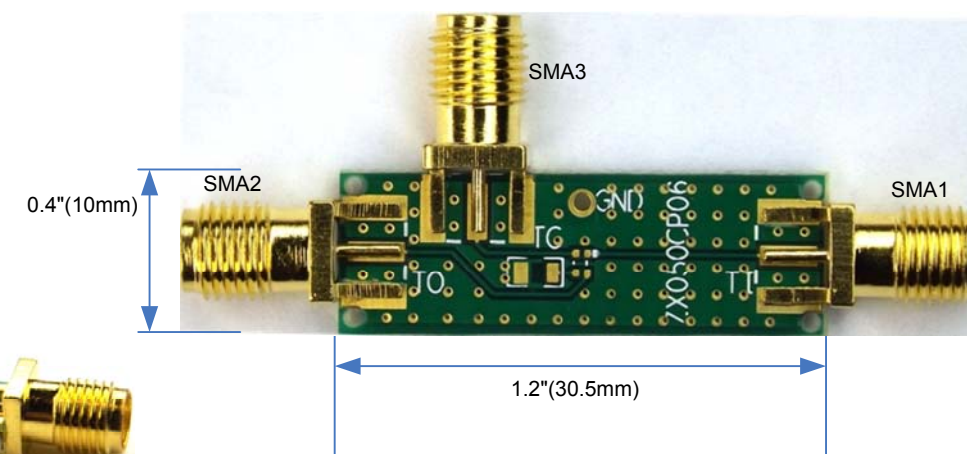
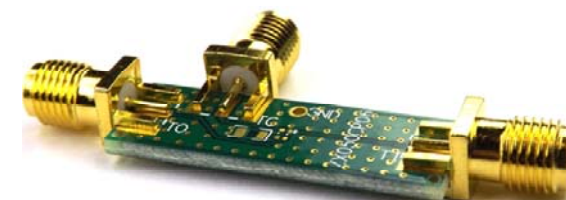


Product Name: ZX050-CP0603 Directional Coupler CP0603 breakout Adapter SMA

Product Description: General purpose directional coupler Breakout Adapter enabling characterization, functional testing of ANY CP0603 SMD package device using 50 Ω (Ohms) 35μ gold plated SMA connectors as access point. Designed in 4 layer PCBoard with improved signal integrity and crosstalk.

Ideal evaluation, bringup, and testing of ANY coupler using CP0603 footprint packages.

Available GND test point header for system ground reference.



Application: Bringup, Characterization, testing, development, modular design evaluations

Target DUT : Designed specifically for use with CP0603 SMD devices with SMA connector access

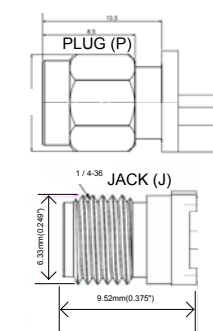
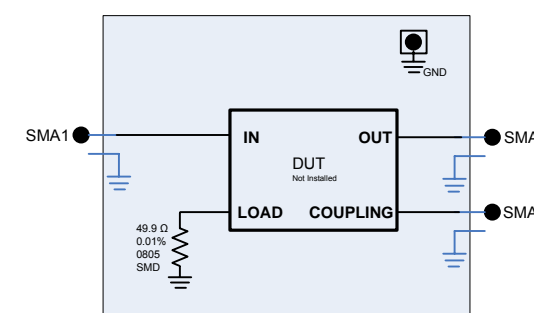
Pitch: CP0603 SMD package or equivalent

Headers: Ground test point - 0.025" SQ with 0.32" (5.6mm) post height

DUT Package: Surface Mount, 4 pin package –

SMA:
 Impedance: 50Ω
 Temp Range: -65°C +165°C
 Vibration: MIL-STD-202, Method 213
 Frequency Range: DC – 12GHz
 Working Voltage: 335V max
 Withstand Voltage: 1000V rms
 Center Contact: ≤3mΩ
 Outer Contact: ≤2mΩ
 Insulation resistance: ≥5000MΩ
 VSWR Straight: ≤1.15 (0.8-2.5G)

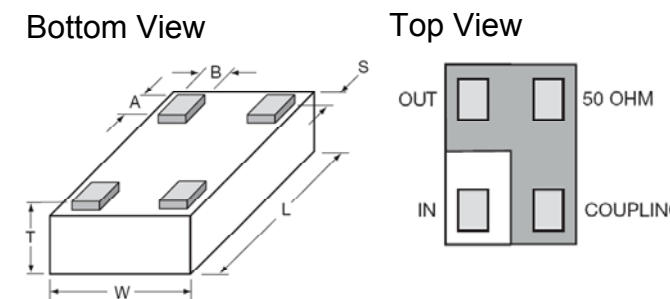
Simplified Block Diagram:



DIMENSIONS (mm)							
Package	UNIT	A	B	L	S	T	W
CP0603	max	0.30	0.25	1.70	0.10	0.70	0.94
	Typical	0.25	0.20	1.60	0.05	0.60	0.84
	min	0.20	0.15	1.50	0.00	0.50	9.74
DFN-4-0603	max	0.30	0.25	1.70	0.10	0.70	0.94
	Typical	0.25	0.20	1.60	0.05	0.60	0.84
	min	0.20	0.15	1.50	0.00	0.50	9.74

Ordering INFO:
 SMA1 SMA2 SMA3 Part Number
 Jack Jack Jack ZX050-CP0603-JJJ
 Plug Jack Plug ZX050-CP0603-PJP
 Customer requirement ZX050-CP0603-XXX

OUTLINE Version	REFERENCES		
	IEC	JEDEC	JEITA
CP0603			
DFN-4-0603			



-XXX orders, please specify type of SMA for placement of SMA1, 2, and 3 when ORDERING

NOTE: ZX050-CP0603 is shipped without DUT. Zebax offers **FREE DUT installation for any order.** Please email for instructions

Note
 ALL ZEBAX products are RoHS compliant and Lead Free unless otherwise indicated.

ZEBAX TECHNOLOGIES SANTA CRUZ, CA U.S.A (831) 222-0717 WWW.ZEBAX.COM		
SPECIFIED DIMENSIONS ARE INCHES (MM). ROHS COMPLIANT	ASSEMBLY DRAWING	
	ITEM: ZX050-CP0603	
DESCRIPTION: CP0603 Directional Coupler breakout adapter SMA		
CHECKED: M. MARINA	DRAWN: SLAVIK	REVISION: 1.0 SHEET: 1 OF 1

Notice
 ALL ZEBAX TECHNOLOGIES DESIGN SPECIFICATIONS, DRAWINGS, PUBLICATIONS, AND OTHER DOCUMENTS (TOGETHER AND SEPARATELY, "MATERIALS") ARE BEING PROVIDED "AS IS." ZEBAX MAKES NO WARRANTIES, EXPRESSED, IMPLIED, STATUTORY, OR OTHERWISE WITH RESPECT TO THE MATERIALS, AND EXPRESSLY DISCLAIMS ALL IMPLIED WARRANTIES OF NO INFRINGEMENT, MERCHANTABILITY, AND FITNESS FOR A PARTICULAR PURPOSE.
 Information furnished is believed to be accurate and reliable. However, Zebax Technologies assumes no responsibility for the consequences of use of such information or for any infringement of patents or other rights of third parties that may result from its use. Specifications mentioned in this publication are subject to change without notice. This publication replaces all other information previously supplied. Zebax Technologies products are not authorized as in life support devices or systems.