

**Product Name:** ZX050-3PIN General purpose 3 Pin SMD breakout adapter SMA

**Product Description:** General purpose 3 pin Breakout Adapter enabling characterization, functional testing of ANY 3 pin SMD package device ( listed below ) using 50 Ω ( Ohms ) 35μ gold plated SMA connectors as access point. Designed in 4 layer PCBoard with improved signal integrity and crosstalk.

**Supported SMD Packages:**

- SOT323 SC-70
- SOT23 TO236AB SC-59
- SOT416 SC-75
- SOT663
- SOT89 TO243 SC-62
- SOT883 SOT883B SC-101
- DFN1006B-3 DFN1006-3
- DFN2020-3

Ideal evaluation, bringup, and testing of ANY discrete component such as ESD diode, MOSFET, etc using the above listed footprint packages.

Available GND , VDD test points for applying external VDD supply voltage and system ground reference to any of the 3 pins of the DUT.

**Application:** Bringup, Characterization, testing, development, modular design evaluations

**Target DUT :** Designed specifically for any of the SMD devices listed above with SMA connector access

**Pitch:** Above listed SMD package or equivalent

**Headers:** Ground, External supply voltage test points - 0.025" SQ with 0.32" (5.6mm) post height

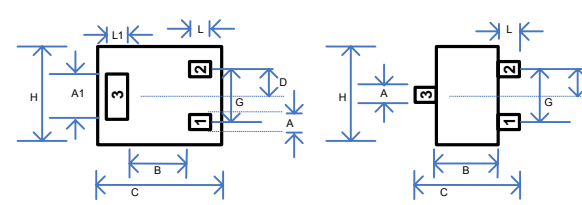
**DUT Package:** Surface Mount, 3 pin package –

**SMA:**

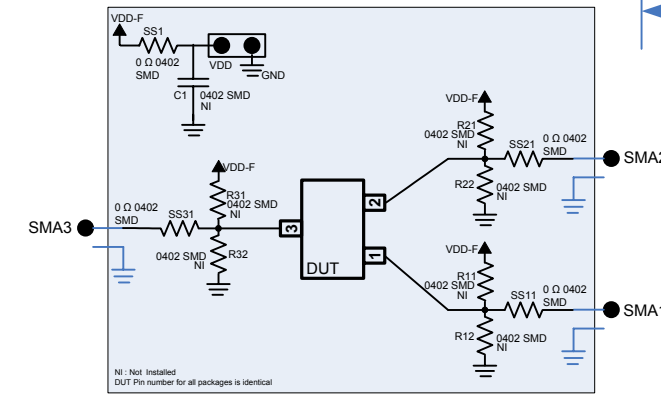
- Impedance: 50Ω
- Temp Range: -65°C +165°C
- Vibration: MIL-STD-202, Method 213
- Frequency Range: DC – 12GHz
- Working Voltage: 335V max
- Withstand Voltage: 1000V rms
- Center Contact: ≤3mΩ
- Outer Contact: ≤2mΩ
- Insulation resistance: ≥5000MΩ
- VSWR Straight: ≤1.15 ( 0.8-2.5G)

DIMENSIONS ( mm )									
Package	UNIT	A	B	C	D	G	H	L	
SOT323	max	0.40	1.35	2.20	0.650	1.40	2.20	0.40	
	Typical	0.30	1.30	2.10		1.30	2.15	0.30	
	min	0.25	1.15	2.00		1.20	1.80	0.25	
SOT23	max	0.51	1.40	2.50	1.030	2.05	3.00	0.61	
	Typical	0.40	1.30	2.40	0.915	1.83	2.90	0.55	
	min	0.37	1.20	2.30	0.890	1.78	2.80	0.45	
SOT416	max	0.30	0.90	1.75			1.80	0.45	
	Typical				0.500	1.00			
	min	0.15	0.70	1.45			1.40	0.15	
SOT663	max	0.33	1.30	1.70			1.70	0.30	
	Typical				0.500	1.00			
	min	0.23	1.10	1.50			1.50	0.10	
SOT89	max	0.54/A1=0.62/A2=1.83	4.60	4.25		1.500	3.00	4.60	1.20
	Typical								
	min	0.35/A1=0.44/A2=1.62	4.40	3.94				4.40	0.89
DFN1006B-3	max	0.2/A1=0.55		1.050			0.650	0.30/L1=0.30	
	Typical	0.15/A1=0.50	0.400	1.00			0.600	0.25/L1=0.25	
	min	0.12/A1=0.47		0.95			0.550	0.22/L1=0.22	
DFN1006-3	max	0.2/A1=0.55		1.075			0.675	0.30/L1=0.30	
	Typical	0.15/A1=0.50	0.400	1.00			0.600	0.25/L1=0.25	
	min	0.1/A1=0.45		0.95			0.550	0.20/L1=0.30	
DFN2020-3	max	0.30		2.075			2.075	0.45	
	Typical	0.25		2.000			2.000	0.40	
	min	0.20		1.950			1.950	0.35	

OUTLINE Version	REFERENCES		
	IEC	JEDEC	JEITA
SOT323		SC-70	
SOT23		TO236AB	SC-59
SOT416			SC-75
SOT663			
SOT89		TO-243	SC-62
SOT883B / DFN1006B-3			
SOT883 / DFN1006B			SC-101
SOT1061 / DFN2020-3			



**Simplified Block Diagram:**



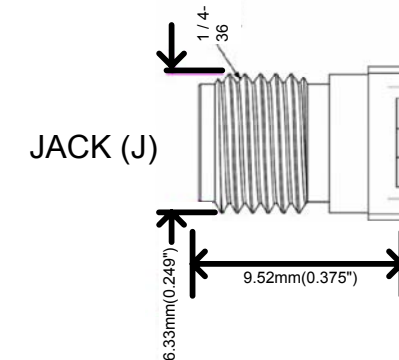
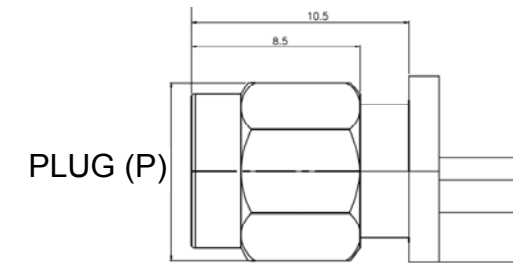
- NOTE:**
- SS1, SS11, SS21, SS31 are 0402 SMD package with the inner connected landing pads. It is stuffing option for in-series device such as Bead, Inductor, Capacitor..
  - User may connect any DUT pin to VDD or GND by installing the reserved stuffing option 0402 SMD : Install R11 , R12 to connect Pin 1 to VDD or GND respectively.  
R21, R22 for Pin 2  
R31, R32 for Pin 3

**Ordering INFO:**

- SMA**  
 Part Number 1 2 3  
 ZX050-3PIN- J J J  
 ZX050-3PIN- P P P  
 ZX050-3PIN- X X X

-XXX orders, please specify the required SMA type connectors when ordering as "the instruction" or "Note"

**NOTE:** ZX050-3PIN is shipped without DUT. **Zebax offers FREE DUT installation for any order.** Please email for instructions



**Note**  
 ALL ZEBAX products are RoHS compliant and Lead Free unless otherwise indicated.

**ZEBAX TECHNOLOGIES**  
 SANTA CRUZ, CA U.S.A (831) 222-0717  
 WWW.ZEBAX.COM

SPECIFIED DIMENSIONS ARE INCHES (MM). ROHS COMPLIANT	ASSEMBLY DRAWING	
	ITEM: ZX050-3PIN	
<b>DESCRIPTION: 3PIN SMD breakout adapter SMA</b>		
CHECKED: M. MARINA	DRAWN: SLAVIK	REVISION: <b>1.0</b> SHEET: <b>1 OF 1</b>

Notice

ALL ZEBAX TECHNOLOGIES DESIGN SPECIFICATIONS, DRAWINGS, PUBLICATIONS, AND OTHER DOCUMENTS (TOGETHER AND SEPARATELY, "MATERIALS") ARE BEING PROVIDED "AS IS." ZEBAX MAKES NO WARRANTIES, EXPRESSED, IMPLIED, STATUTORY, OR OTHERWISE WITH RESPECT TO THE MATERIALS, AND EXPRESSLY DISCLAIMS ALL IMPLIED WARRANTIES OF NO INFRINGEMENT, MERCHANTABILITY, AND FITNESS FOR A PARTICULAR PURPOSE.

Information furnished is believed to be accurate and reliable. However, Zebax Technologies assumes no responsibility for the consequences of use of such information or for any infringement of patents or other rights of third parties that may result from its use. Specifications mentioned in this publication are subject to change without notice. This publication replaces all other information previously supplied. Zebax Technologies products are not authorized as in life support devices or systems.