

Product Name: ZX050-2PIN General purpose 2 Pin SMD breakout adapter SMA

Product Description: General purpose 2 pin Breakout Adapter enabling characterization, functional testing of ANY 2 pin SMD package device (listed below) using 50 Ω (Ohms) 35μ gold plated SMA connectors as access point. Designed in 4 layer PCBoard with improved signal integrity and crosstalk.

Supported SMD Packages:

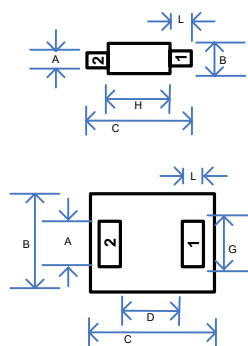
- SOD123 SOD123F SOD123W
- SOD128
- SOD323 SOD323F
- SOD523
- DSN0603-2 SOD962
- DFN1006-2 DFN1006D-2 SOD882 SOD882D
- DFN1608D-2 SOD1608D
- WLCSP2 OL-IP4302CX2

Ideal evaluation, bringup, and testing of ANY discrete component such as ESD diode using the above listed footprint packages.

Available GND , VDD test points for applying external VDD supply voltage and system ground reference to any of the 2 pins of the DUT.

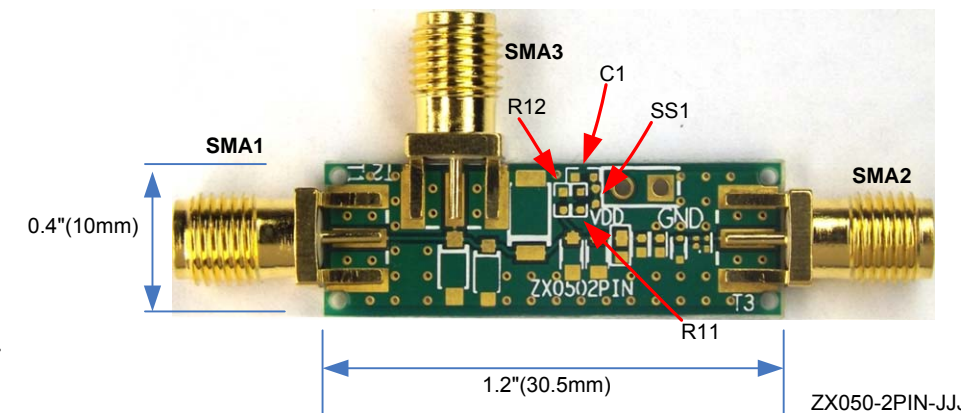
- Application:** Bringup, Characterization, testing, development, modular design evaluations
- Target DUT :** Designed specifically for any of the SMD devices listed above with SMA connector access
- Pitch:** Above listed SMD package or equivalent
- Headers:** Ground, External supply voltage test points - 0.025" SQ with 0.32" (5.6mm) post height
- DUT Package:** Surface Mount, 2 pin package –

- SMA:**
- Impedance: 50Ω
- Temp Range: -65°C +165°C
- Vibration: MIL-STD-202, Method 213
- Frequency Range: DC – 12GHz
- Working Voltage: 335V max
- Withstand Voltage: 1000V rms
- Center Contact: ≤3mΩ
- Outer Contact: ≤2mΩ
- Insulation resistance: ≥5000MΩ
- VSWR Straight: ≤1.15 (0.8-2.5G)

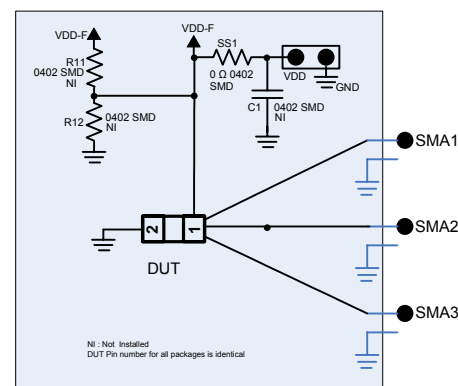


| OUTLINE Version | REFERENCES | | | |
|-----------------------|------------|-------|-------|--|
| | IEC | JEDEC | JEITA | |
| SOD123 | | | | |
| SOD123F | | | | |
| SOD123W | | | | |
| SOD128 | | | | |
| SOD323 | | | SC-76 | |
| SOD323F | | | SC-90 | |
| SOD523 | | | SC-79 | |
| DSN0603-2 / SOD962 | | | | |
| DFN1006-2 / SOD882 | | | | |
| DFN1006D-2 / SOD882D | | | | |
| DFN1608D-2 / SOD1608 | | | | |
| WLCSP2 / OL-IP4302CX2 | | | | |

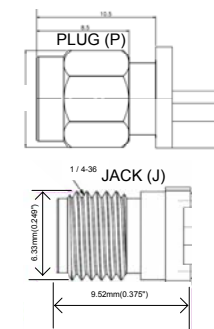
| DIMENSIONS (mm) | | | | | | | |
|------------------------|---------|-------|-------|-------|-------|-------|-------|
| Package | UNIT | A | B | C | D | H | L |
| SOD123 | max | | 1.70 | 3.85 | | 2.85 | 0.40 |
| | Typical | 0.55 | | | | | |
| | min | | 1.40 | 3.55 | | 2.55 | 0.25 |
| SOD123F | max | 0.77 | 1.70 | 3.60 | | 2.70 | 0.55 |
| | Typical | | | | | | |
| | min | 0.55 | 1.50 | 3.40 | | 2.50 | 0.35 |
| SOD123W | max | 1.05 | 1.90 | 3.70 | | 2.80 | 0.60 |
| | Typical | | | | | | |
| | min | 0.75 | 1.50 | 3.30 | | 2.40 | 0.30 |
| SOD128 | max | 1.95 | 2.70 | 5.00 | | 2.70 | 0.60 |
| | Typical | | | | | | |
| | min | 1.60 | 2.30 | 4.40 | | 3.60 | 0.30 |
| SOD323 | max | 0.35 | 1.40 | 2.70 | | 1.80 | 0.40 |
| | Typical | | | | | | |
| | min | 0.25 | 1.20 | 2.30 | | 1.60 | 0.20 |
| SOD323F | max | 0.35 | 1.35 | 2.70 | | 1.80 | 0.50 |
| | Typical | | 1.250 | 2.500 | | 1.700 | 0.400 |
| | min | 0.25 | 1.15 | 2.30 | | 1.60 | 0.30 |
| SOD523 | max | 0.35 | 0.90 | 1.70 | | 1.30 | 0.30 |
| | Typical | | | | | | |
| | min | 0.25 | 0.70 | 1.50 | | 1.10 | 0.10 |
| DSN0603-2 SOD962 | max | 0.25 | 0.32 | 0.625 | 0.270 | | 0.15 |
| | Typical | | | | 0.26 | | |
| | min | 0.23 | 0.28 | 0.58 | 0.230 | | 0.13 |
| DFN1006-2 SOD882 | max | 0.55 | 0.675 | 1.075 | | | 0.30 |
| | Typical | 0.500 | 0.600 | 1.00 | 0.40 | | 0.25 |
| | min | 0.45 | 0.55 | 0.95 | | | 0.20 |
| DFN1006D-2 SOD882D | max | 0.55 | 0.65 | 1.050 | | | 0.30 |
| | Typical | 0.500 | 0.600 | 1.00 | 0.40 | | 0.25 |
| | min | 0.45 | 0.55 | 0.95 | | | 0.22 |
| DFN1608D-2 SOD1608 | max | 0.75 | 0.85 | 1.650 | | | 0.40 |
| | Typical | 0.70 | 0.800 | 1.600 | 0.40 | | 0.35 |
| | min | 0.67 | 0.75 | 1.550 | | | 0.32 |
| WLCSP2 OL-IP4302CX2 | max | 0.17 | 0.24 | | 0.220 | | 0.17 |
| | Typical | | | 0.600 | | | |
| | min | 0.14 | 0.19 | | 0.190 | | 0.14 |



Simplified Block Diagram:



- NOTE:**
- SS1 is 0402 SMD package with the inner connected landing pads. It is stuffing option for in-series device such as Bead, Inductor, Capacitor., limiting resistor, etc
 - User may connect PIN 1 of DUT to VDD or GND via the 2 pin header.
 - User may apply certain pull-up or pull-down resistor or equivalent to PIN 1 of DUT by installing the reserved stuffing option 0402 SMD devices, R11, and R12



Ordering INFO:

- SMA**
- Part Number 1 2 3
- ZX050-2PIN- J J J
- ZX050-2PIN- P P J
- ZX050-3PIN- X X X

-XXX orders, please specify the required SMA type connectors when ordering as "the instructio" or "Note".

NOTE: ZX050-2PIN is shipped without DUT. **Zebax offers FREE DUT installation for any order.** Please email for instructions

Note
ALL ZEBAX products are RoHS compliant and Lead Free unless otherwise indicated.

ZEBAX TECHNOLOGIES
SANTA CRUZ, CA U.S.A (831) 222-0717
WWW.ZEBAX.COM

| | | |
|--|------------------|--|
| SPECIFIED DIMENSIONS ARE INCHES (MM). ROHS COMPLIANT | ASSEMBLY DRAWING | |
| | ITEM: ZX050-2PIN | |
| DESCRIPTION: 2PIN SMD breakout adapter SMA | | |
| CHECKED: M. MARINA | DRAWN: SLAVIK | REVISION: 1.0 SHEET: 1 OF 1 |

Notice
ALL ZEBAX TECHNOLOGIES DESIGN SPECIFICATIONS, DRAWINGS, PUBLICATIONS, AND OTHER DOCUMENTS (TOGETHER AND SEPARATELY, "MATERIALS") ARE BEING PROVIDED "AS IS." ZEBAX MAKES NO WARRANTIES, EXPRESSED, IMPLIED, STATUTORY, OR OTHERWISE WITH RESPECT TO THE MATERIALS, AND EXPRESSLY DISCLAIMS ALL IMPLIED WARRANTIES OF NO INFRINGEMENT, MERCHANTABILITY, AND FITNESS FOR A PARTICULAR PURPOSE.
Information furnished is believed to be accurate and reliable. However, Zebax Technologies assumes no responsibility for the consequences of use of such information or for any infringement of patents or other rights of third parties that may result from its use. Specifications mentioned in this publication are subject to change without notice. This publication replaces all other information previously supplied. Zebax Technologies products are not authorized as in life support devices or systems.